



NOBLE OPTO

Solar LED Street Light

SSL-1C030D series

SSL-1C030D series LED Street Light, designed by experienced expert and controlled by strict quality system, integrate durable structure and perfect design to keep its lifespan long, energy consumption low and down, meet a vast majority of challenging roadway and street lighting application. Integrated design of driver box and arm, the whole aluminum lamp is able to heat dissipation; With two specifications of the light pole's back cover: Ø60mm and Ø40mm. With a protection grade reaching Ip66, it can withstand a level 17 hurricane.



Product Series :

30W

60W

90W





NOBLE OPTO



Feature :

External fashion beautiful, angular, simple and tough.

- Light weight, small size, reduce transportation costs and maintenance of capital.
- 1060 aluminum cylinder orange powder, powder cross process, breathable Feng sent design, enhance the cooling effect of lamps.
- Intelligent adjustable power, lighting time.
- Protection level IP66.
- Support 50-60m m light repentance, apply more widely.
- Imported high-brightness light source, high luminous efficiency.



Parameters :

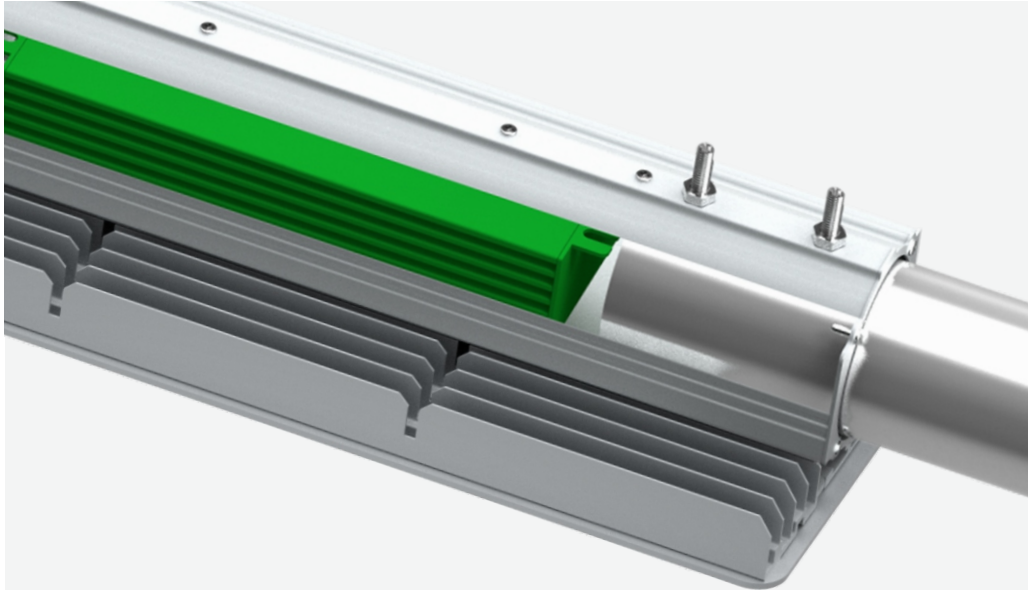


NO.	Title	Description
1	Name	SSL-1C030D Series Street Light
2	Model	SSL30/60/90-1C030D
3	Power	30W/60W/90W
4	Input Voltage	DC12-24V
5	Lighting efficacy	120LM/W
6	Beam angle	75X140
7	Waterproof rate	Ip66
8	Battery parameters	60AH/120AH/160AH 12V battery
9	Total luminous flux	3600/7200/10800LM
10	Chip model	OSRAM 3030
11	CCT	6500k
12	Installation height	6-8m
13	Pole diameter	50~60mm
14	Operating temperature	-20°C-50°C
15	Warranty	5 years
16	Solar Panel Parameters	Polysilicon 60/120/150W 12V Components Conversion Efficiency> 16%

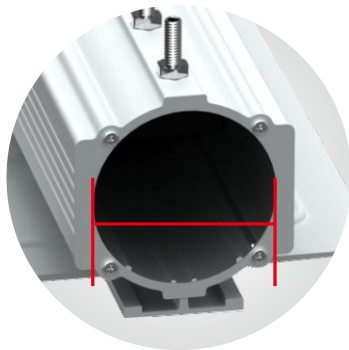


Integrated design of driver box and arm:

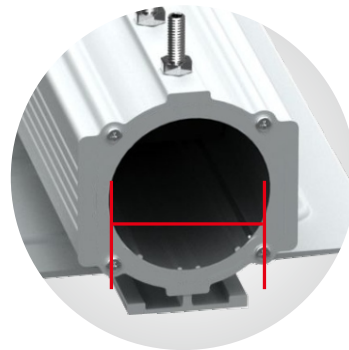
The integrated design of driver box and arm can save the space and reduce the wind resistance to the best.



Two specifications of the light pole's back cover, the lamps can be used more widely



60mm



40mm



NOBLE OPTO

Prospective design, performance excellence:

(followings are abbreviated drawing, different watts, same functions.)

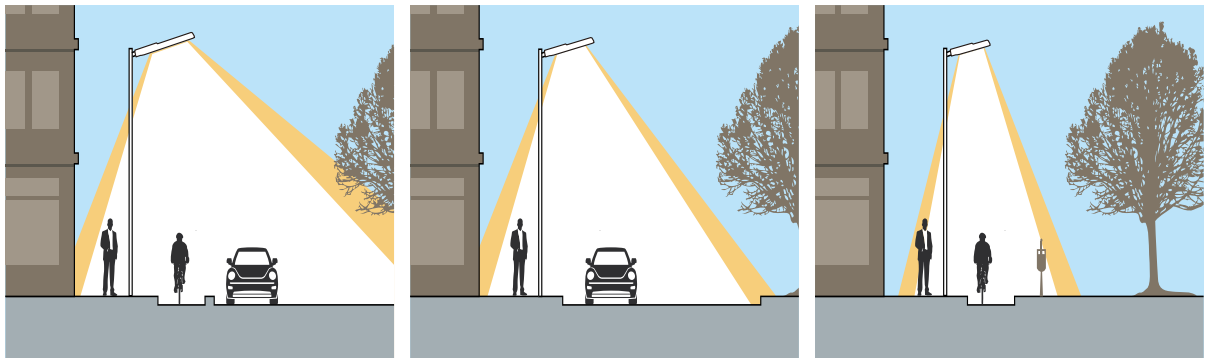


Protection grade reaches IP66

Anti- Level 17hurricane

Multi Power Selection:

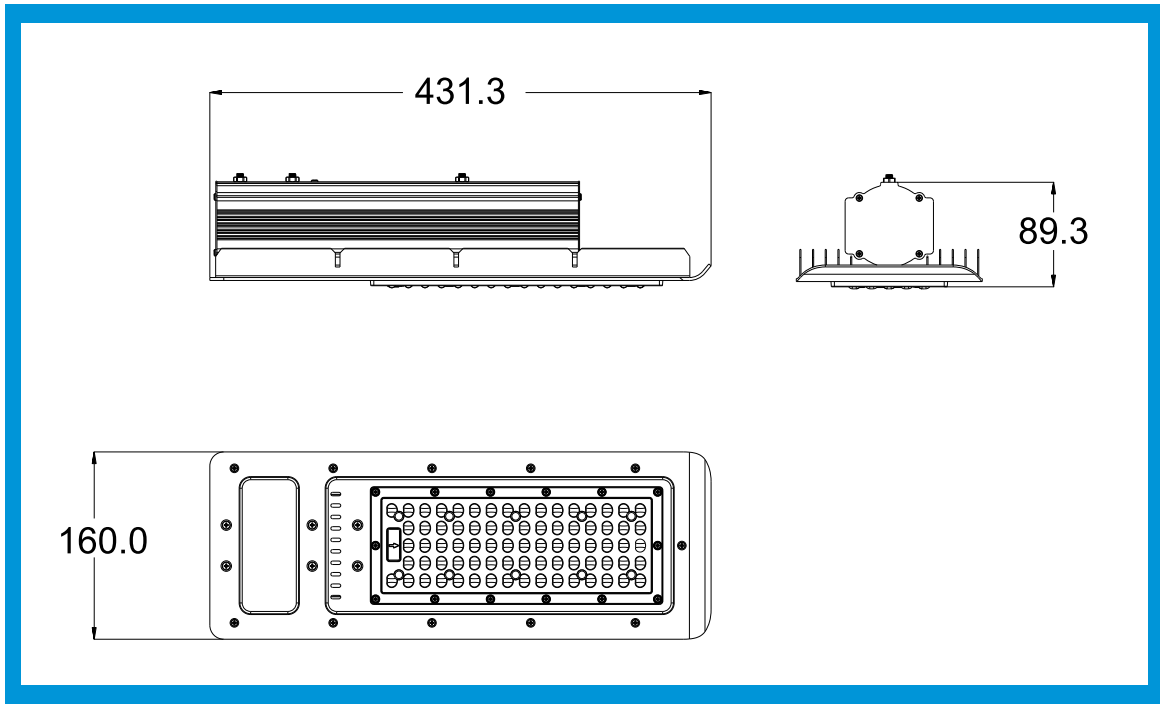
SSL-1C030D series includes 30w, 60w, 90w, ,A total of 6 heat radiating Suite product portfolio, according to the use of premises need to select appropriate heat radiating suite





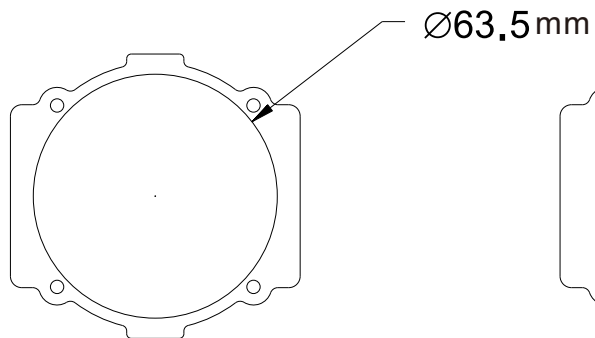
NOBLE OPTO

Production Size(mm):

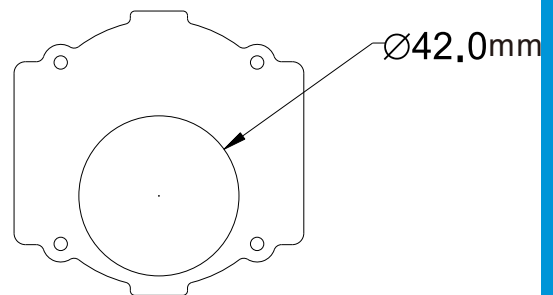


Lamp arm cover:

According to requirement choose 60 diameter or 40 diameter lamp arm cover



**60 diameter lamp arm cover
support 60 diameter**



**40 diameter lamp arm cover
support 40 diameter**



NOBLE OPTO

30W STREETLIGHT PHOTOMETRIC TEST REPORT

Test:U:220.4V I:0.2970A P:63.20W PF:0.9640 Lamp Flux::7089.74x1 lm

Name:Solar LED Street Light	TYPE:SSL30-1C030D	WEIGHT:3
SPEC.:	DIM.:	SERIAL No.:
MFR.: Shenzhen Noble Opto Co.,Ltd	SUR.:	PROTECTION ANGLE:

DATA OF LAMP		PRODUCT DATA Eff: 120 lm/W			
MODEL	3030-6000K	Imax(cd)	1200	η street_up(%)	0.3
NOMINAL POWER(W)	30	LOR(%)	100.0	η street_down(%)	63.2
RATED VOLTAGE(V)	12	TOTAL FLUX(lm)	3500	η house_up(%)	0.4
NOMINAL FLUX(lm)	3600	MAXIMUM @(C, γ)	140°, 75°	η house_down(%)	36.1
LAMPS INSIDE	1	η up(%)	0.7	76 FLASHAREA(m ²)	0.00100
TEST VOLTAGE(V)	12	η down(%)	99.3	SL I	16.664



NOBLE OPTO

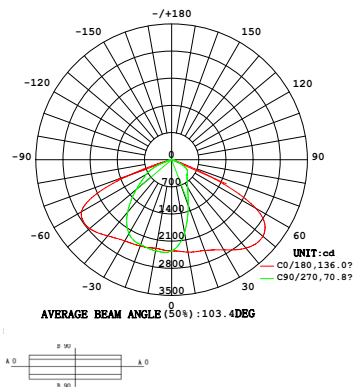
60W STREETLIGHT PHOTOMETRIC TEST REPORT

Test:U:220.4V I:0.2970A P:63.20W PF:0.9640 Lamp Flux::7089.74x1 lm

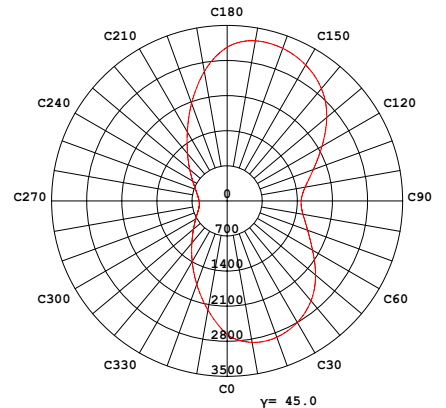
Name:Solar LED Street Light	TYPE:SSL60-1C030D	WEIGHT:3
SPEC.:	DIM.:	SERIAL No.:
MFR.: Shenzhen Noble Opto Co.,Ltd	SUR.:	PROTECTION ANGLE:

DATA OF LAMP		PRODUCT DATE Eff: 120 lm/W			
MODEL	3030-6000K	Imax(cd)	3105	η street_up(%)	0.3
NOMINAL POWER(W)	60	LOR(%)	100.0	η street_down(%)	63.2
RATED VOLTAGE(V)	12	TOTAL FLUX(lm)	7100	η house_up(%)	0.4
NOMINAL FLUX(lm)	7200	MAXIMUM @(C, γ)	140°, 75°	η house_down(%)	36.1
LAMPS INSIDE	1	η up(%)	0.7	76 FLASHAREA(m2)	0.00100
TEST VOLTAGE(V)	12	η down(%)	99.3	SL I	16.664

INTENSITY DISTRIBUTION DIAGRAM IN C PLANS



PLANAR ILLUMINANCE CURVE





NOBLE OPTO

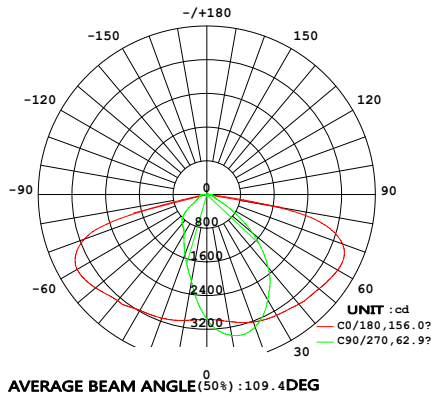
90W STREETLIGHT PHOTOMETRIC TEST REPORT

Test:U:U:220.3V I:0.3870A P:83.00W PF:0.9740 Lamp Flux:8793.55x1 lm

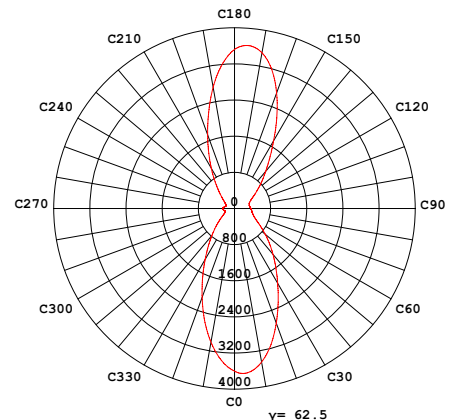
Name:Solar LED Street Light	TYPE:SSL90-1C030D	WEIGHT:3
SPEC.:	DIM.:	SERIAL No.:
MFR.: Shenzhen Noble Opto Co.,Ltd	SUR.:	PROTECTION ANGLE:

DATA OF LAMP		PRODUCT DATE Eff: Eff: 120 lm/W			
MODEL	3030-6000K	Imax(cd)	3600	η street_up(%)	0.3
NOMINAL POWER(W)	90	LOR(%)	100	η street_down(%)	60.8
RATED VOLTAGE(V)	12	TOTAL FLUX(lm)	10600	η house_up(%)	0.4
NOMINAL FLUX(lm)	10800	MAXIMUM @(C, γ)	140°, 75°	η house_down(%)	38.5
LAMPS INSIDE	1	η up(%)	0.7	76 FLASHAREA(m2)	0.00100
TEST VOLTAGE(V)	12	η down(%)	99.3	SL I	22.122

INTENSITY DISTRIBUTION DIAGRAM IN C PLANS



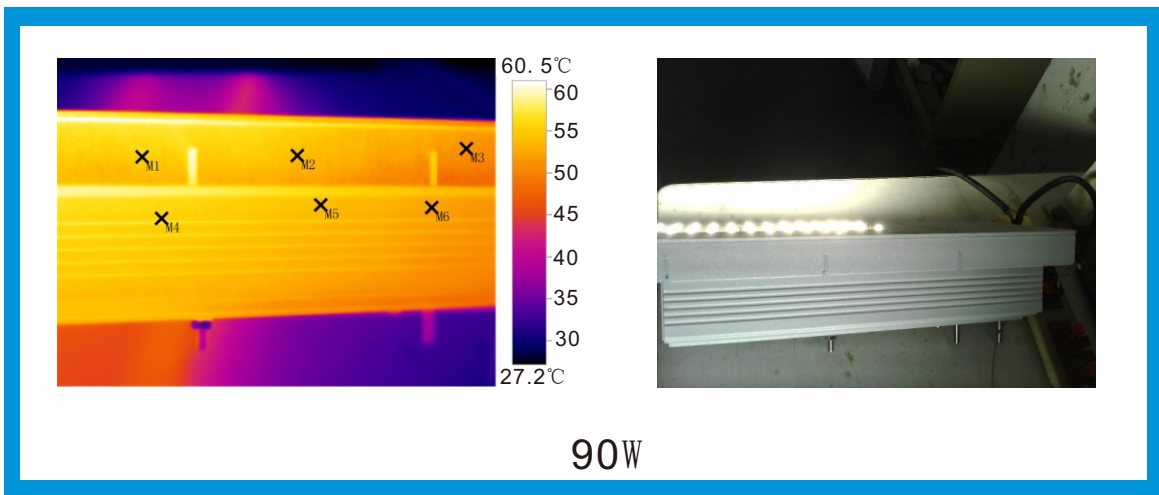
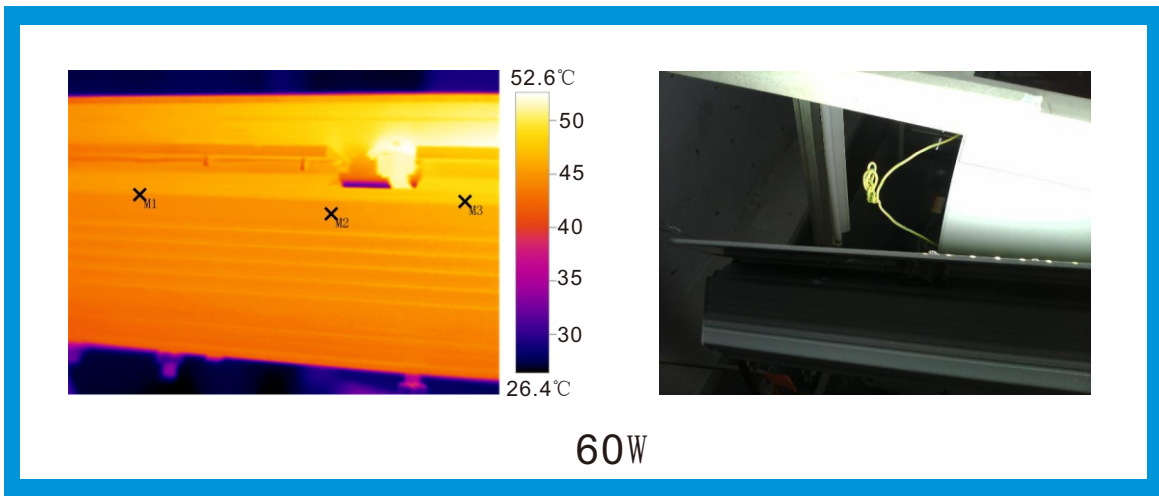
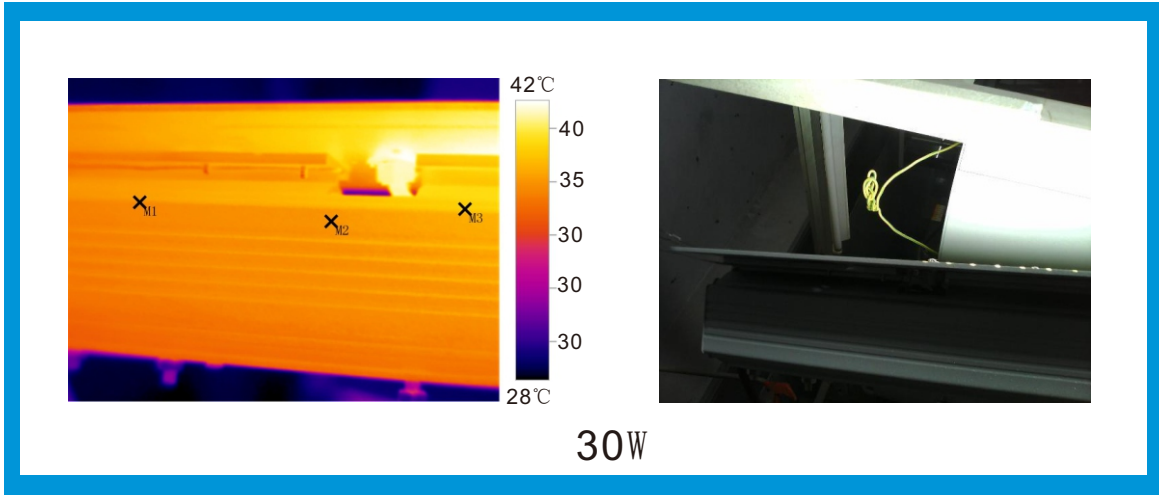
PLANAR ILLUMINANCE CURVE





NOBLE OPTO

Temperature test(Ambient temperature:30°C) :



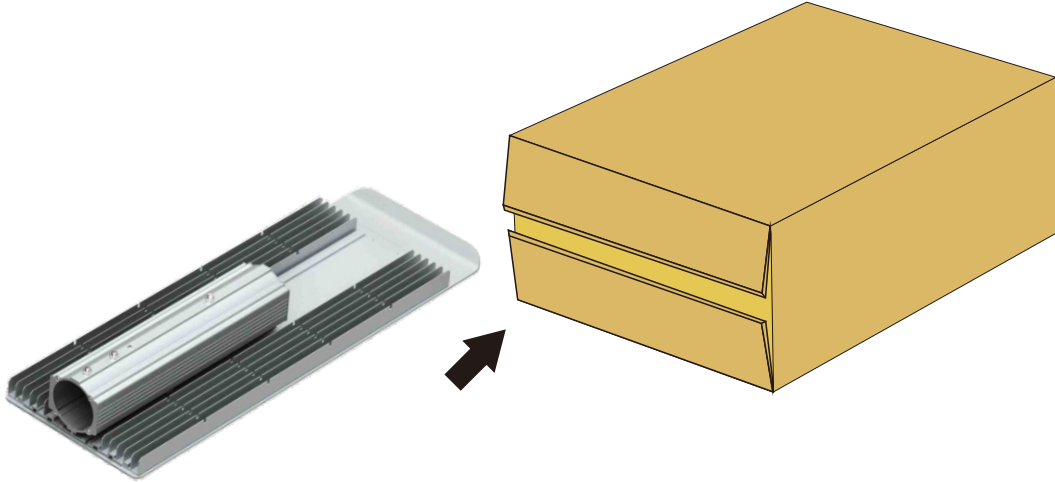


NOBLE OPTO

Packing :

1.Packaging material:

170 (L) 110 (W) 450 (H) mm cartons (K=k+)SL60-A/SL90-A/SL120-A/
SL130-A public use.Attention:horizontal



Application:

Widely used in arterial roads, highways, elevated road, city streets, bridges, sidewalks road lighting,and the square, schools, residential areas, industrial areas, parks and other outdoor lighting places need.



Shenzhen Noble Opto Co.,Ltd
Tel: 0755-27651481/ 27651483
WeChat:598734944 or 992452228