



NOBLE OPTO

NOBLE LED Street Light



SL-1C030C series

SL-1C030C series LED Street Light ,designed by experienced expert and controlled by strict quality system,integrate durable structure and perfect design to keep its lifespan long,energy consumption low and down,meet a vast majority of challenging roadway and street lighting application .A variety of brackets to choose from, more intelligent, user-friendly, alternative to the traditional shoe box lamp.Waterproof:

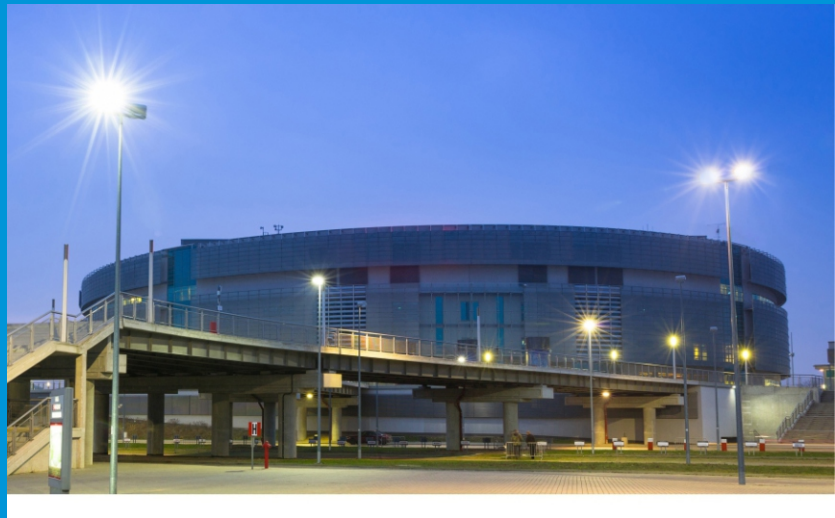


Product Series :

150W

200W

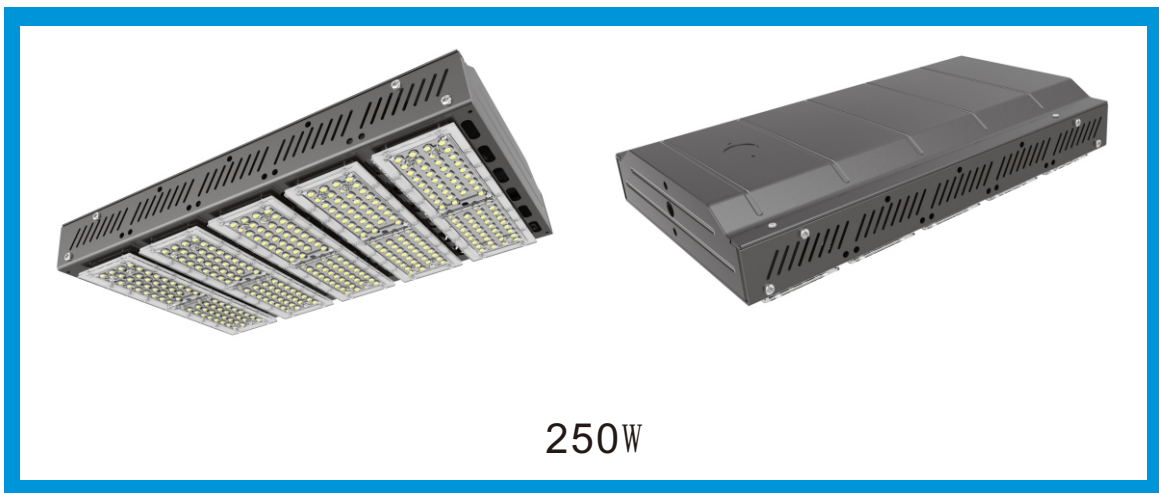
250W





NOBLE OPTO

Product Image:





NOBLE OPTO



Feature :

External fashion beautiful, angular, simple and tough.

- Light weight, small size, reduce transportation costs and maintenance of capital.
- 1060 aluminum cylinder orange powder, powder cross process, breathable Feng sent design, enhance the cooling effect of lamps.
- Intelligent adjustable power, demon lighting time.
- Protection level IP66.
- Support 50-60m m light repentance, apply more widely.
- Imported high-brightness light source, high luminous efficiency.



Parameters :

NO.	Title	Description
1	Name	SL-1C030C Series Street Light
2	Model	SL150/200/250-1C030C
3	Power	150W/200W/250W
4	Input Voltage	AC100-277V
5	Lighting efficacy	126LM/W
6	Beam angle	75X140
7	Waterproof rate	Ip66
8	LED QTY(pcs)	168/224/280
9	Total luminous flux	18900Lm/25200Lm/31500Lm
10	Chip model	OSRAM 3030
11	Any way	24B7C/32B7C/40B7C
12	Installation height	6-8m
13	Pole diameter	62mm
14	Operating temperature	-40°C-60°C
15	Warranty	5 years
16	Current(mA)	10000



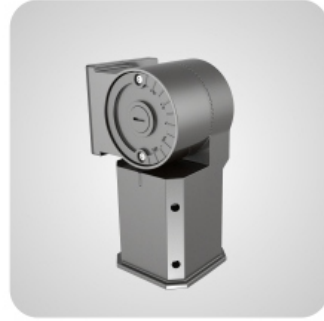


NOBLE OPTO

Two adjustable angle bracket:



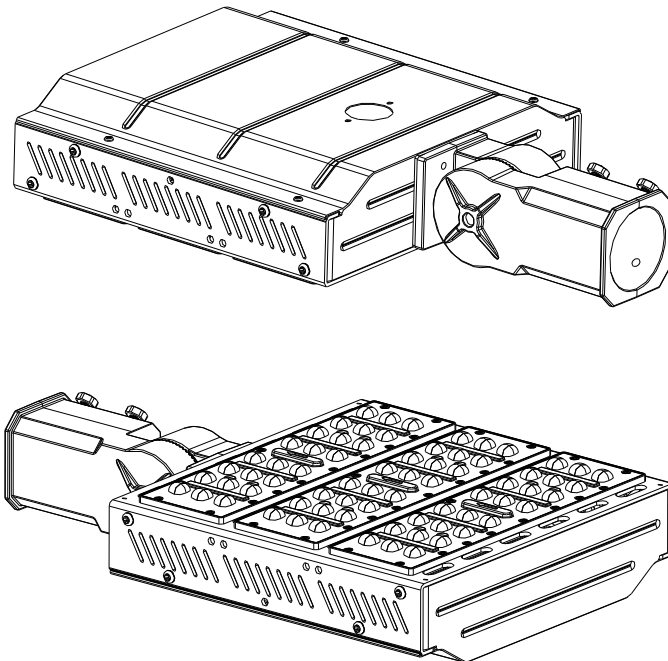
Rotatable shoelamp light holder



Rotatable street light arm

150W Rotatable street light arm:

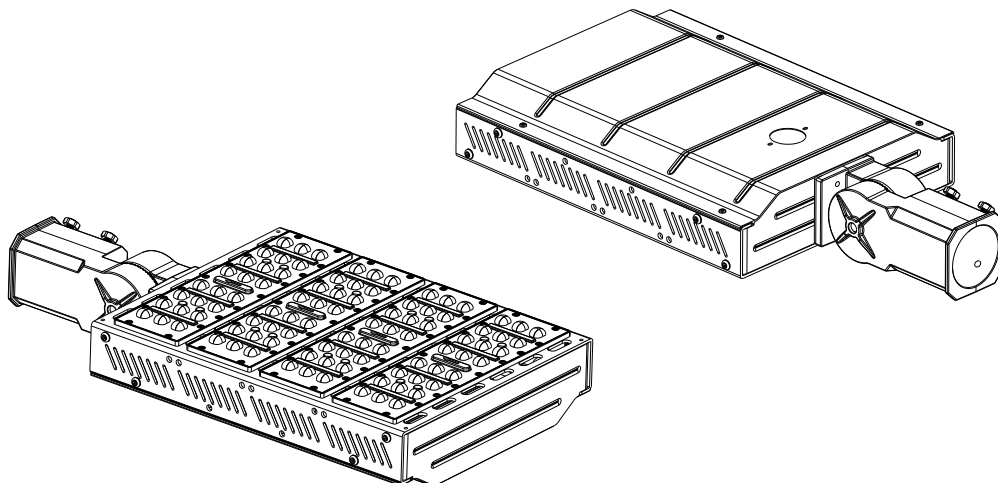
With a clear scale, adjustable angle of 200 degrees, free to adjust the light range, can act as a street light.





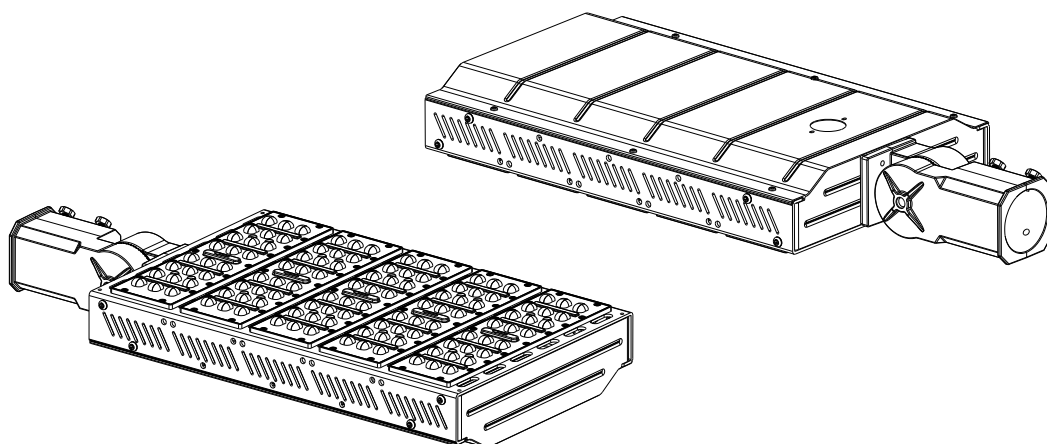
200W Rotatable street light arm:

With a clear scale, adjustable angle of 200 degrees, free to adjust the light range, can act as a street light.



250W Rotatable street light arm:

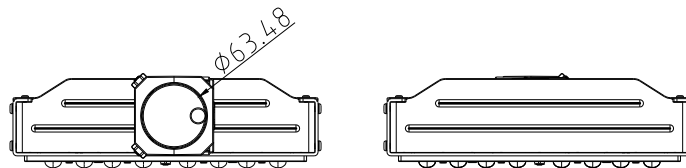
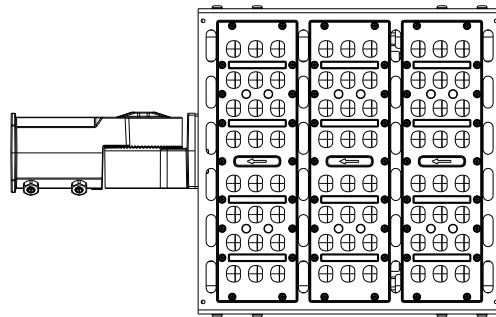
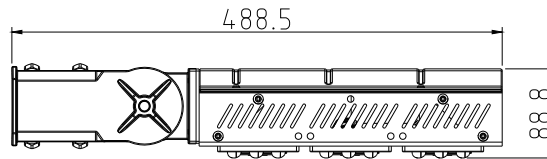
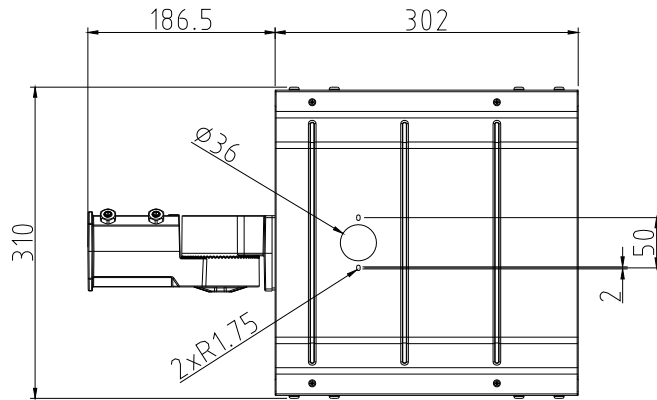
With a clear scale, adjustable angle of 200 degrees, free to adjust the light range, can act as a street light.





NOBLE OPTO

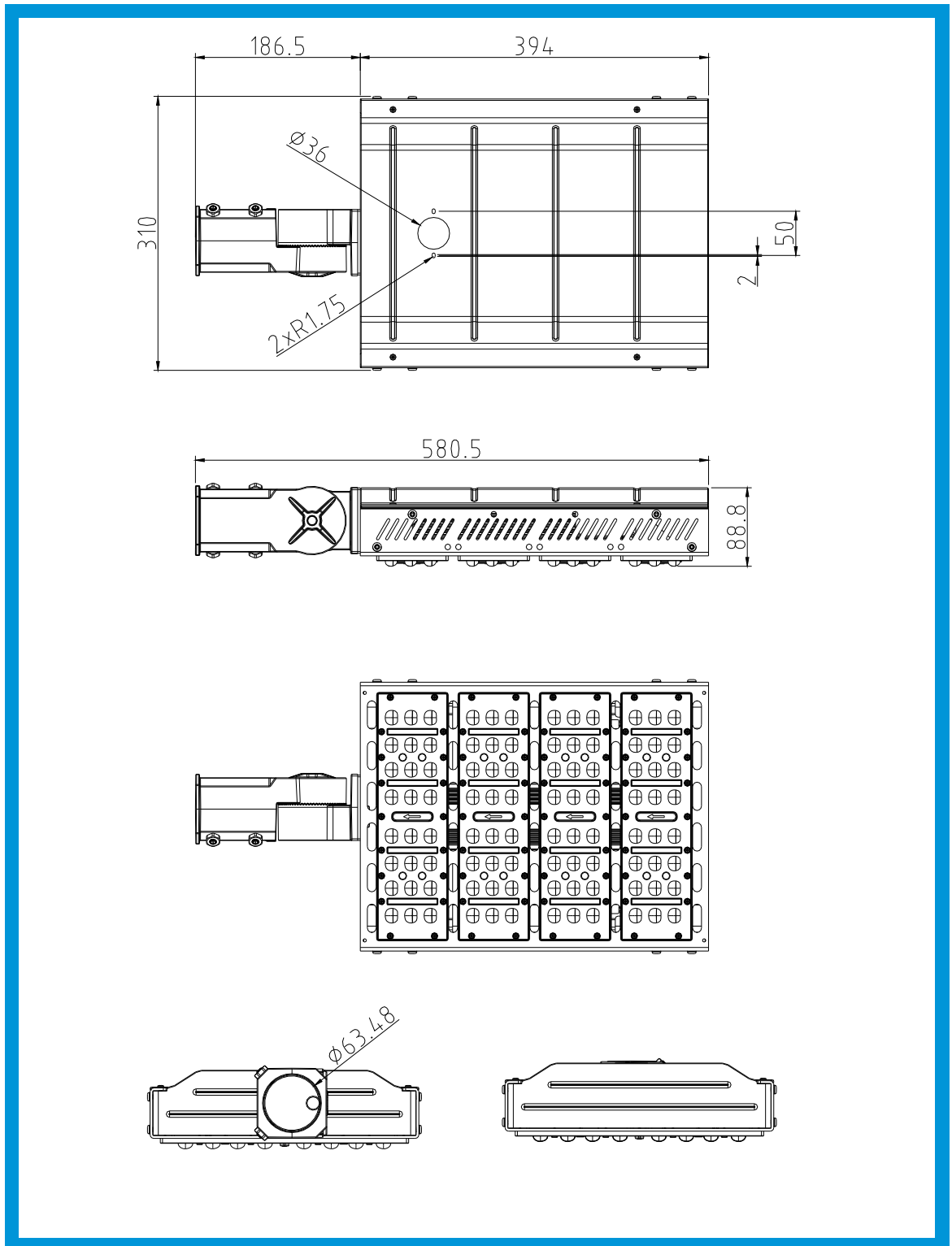
150W Product dimensions:





NOBLE OPTO

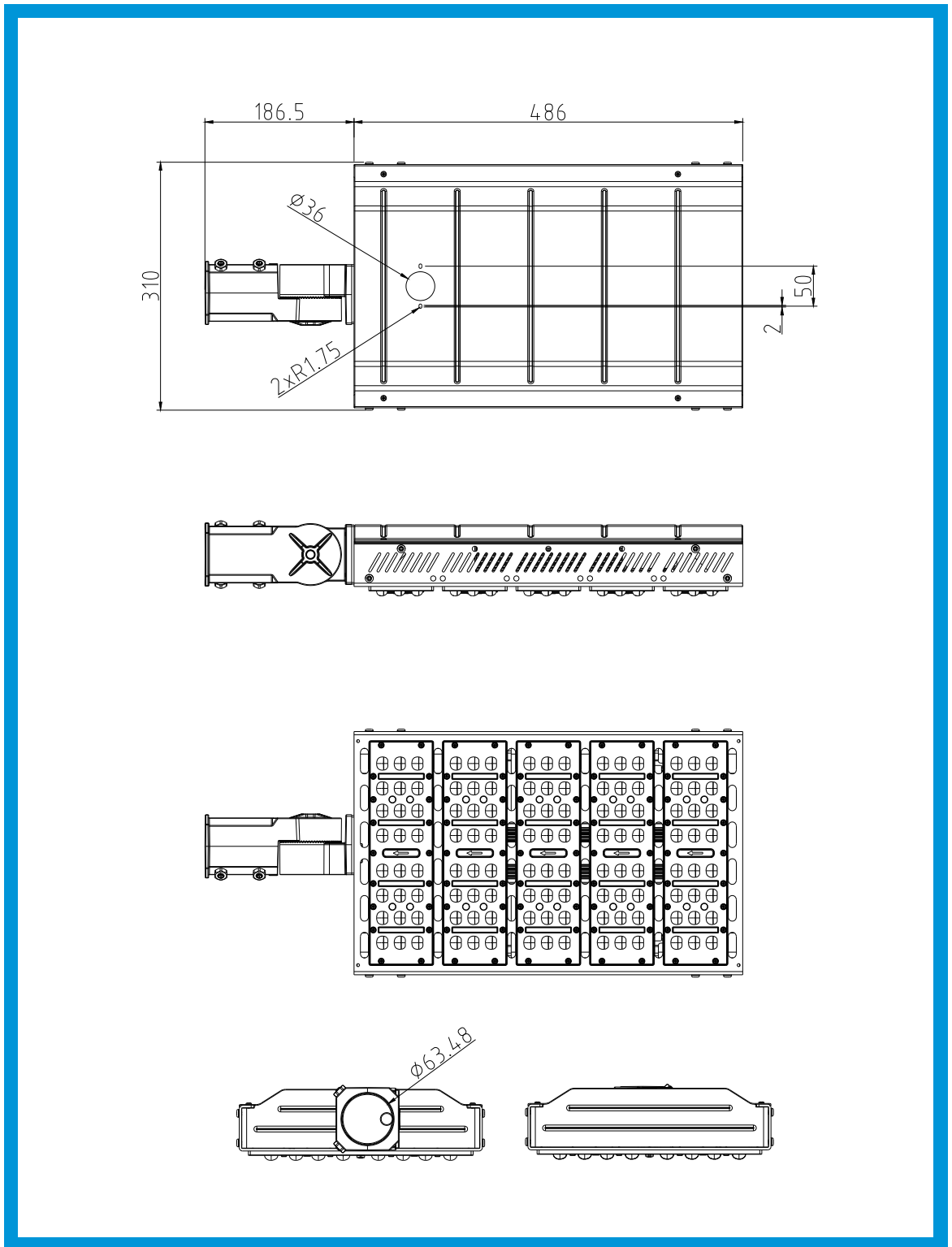
200W Product dimensions:





NOBLE OPTO

250W Product dimensions:





NOBLE OPTO

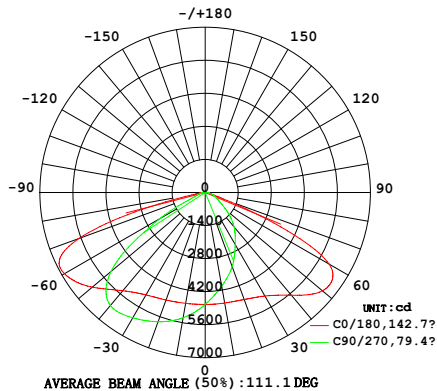
150W STREETLIGHT PHOTOMETRIC TEST REPORT

Test:U:U:220.4V I:0.7680A P:155.2W PF:0.9160 Lamp Flux:19620.4x1 lm

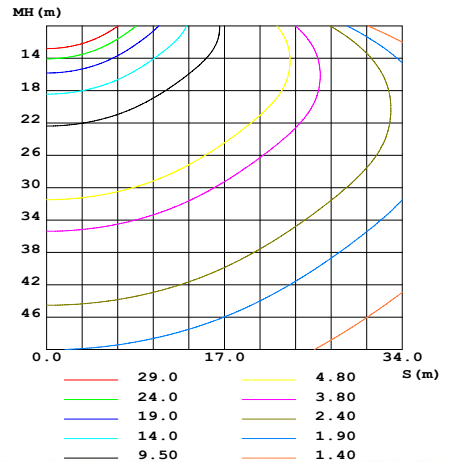
Name:LED Street Light	TYPE:SL150-1C030C	WEIGHT:5.9
SPEC.:	DIM.:	SERIAL No.:
MFR.: Shenzhen Noble Opto Co.,Ltd	SUR.:	PROTECTION ANGLE:

DATA OF LAMP		PRODUCT DATE Eff: Eff: 126.42 lm/W			
MODEL	3030-6000K	Imax(cd)	11327	S/MH(C0/180)	1.73
NOMINAL POWER(W)	150	LOR(%)	100.0	S/MH(C90/270)	1.78
RATED VOLTAGE(V)	220	TOTAL FLUX(lm)	18500	η UP,DN(C0-180)	0.3 , 70.6
NOMINAL FLUX(lm)	18900	CIE classification	direct	η UP,DN(C180-360)	0.4 , 28.7
LAMPS INSIDE	1	η up(%)	0.7	CIBSE SHR NOM	1.50
TEST VOLTAGE(V)	220.4	η down(%)	99.3	CIBSE SHR MAX	1.55

INTENSITY DISTRIBUTION DIAGRAM IN C PLANS



Spatial illuminance curve (unit: lx)





NOBLE OPTO

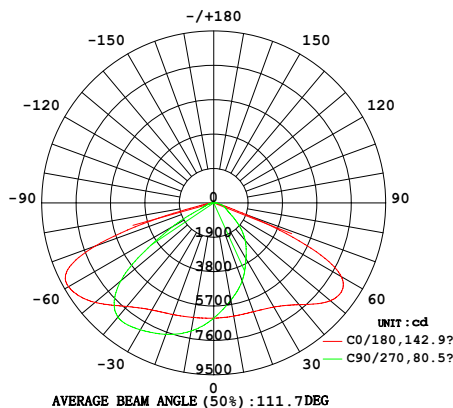
200W STREETLIGHT PHOTOMETRIC TEST REPORT

Test:U:U:220.4V I:0.9900A P:205.3W PF:0.9410 Lamp Flux:26123.9x1 lm

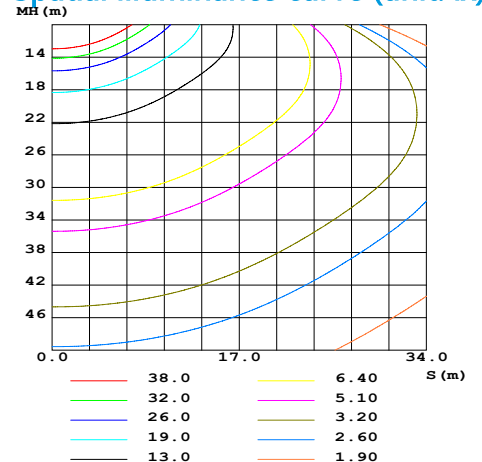
Name:LED Street Light	TYPE:SL200-1C030C	WEIGHT:6.5
SPEC.:	DIM.:	SERIAL No.:
MFR.: Shenzhen Noble Opto Co.,Ltd	SUR.:	PROTECTION ANGLE:

DATA OF LAMP		PRODUCT DATE Eff: Eff: 126.42 lm/W			
MODEL	3030-6000K	Imax(cd)	14978	S/MH(C0/180)	1.78
NOMINAL POWER(W)	200	LOR(%)	100.0	S/MH(C90/270)	1.75
RATED VOLTAGE(V)	220	TOTAL FLUX(lm)	25000	η UP,DN(C0-180)	0.3 , 69.6
NOMINAL FLUX(lm)	25200	CIE classification	direct	η UP,DN(C180-360)	0.4 , 29.7
LAMPS INSIDE	1	η up(%)	0.7	CIBSE SHR NOM	1.50
TEST VOLTAGE(V)	220.4	η down(%)	99.3	CIBSE SHR MAX	1.55

INTENSITY DISTRIBUTION DIAGRAM IN C PLANS



Spatial illuminance curve (unit: lx)





NOBLE OPTO

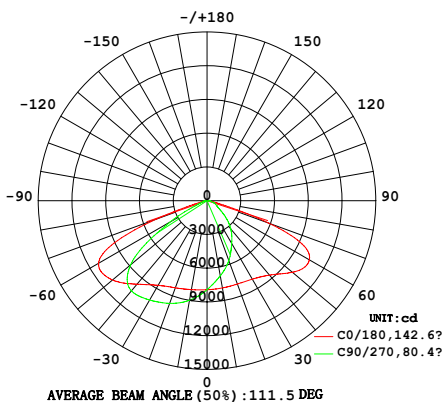
250W STREETLIGHT PHOTOMETRIC TEST REPORT

Test:U:220.4V I:1.209A P:255.9W PF:0.9600 Lamp Flux:32930.3x1 lm

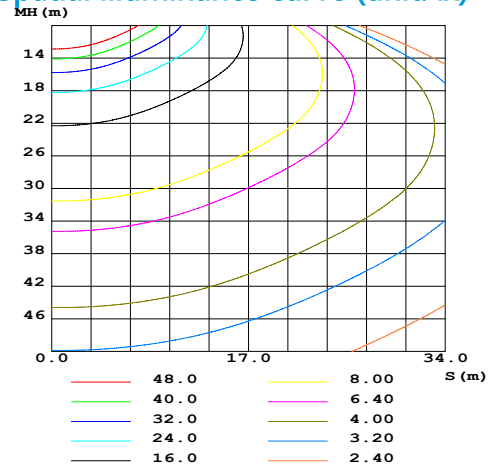
Name:LED Street Light	TYPE:SL250-1C030C	WEIGHT:7
SPEC.:	DIM.:	SERIAL No.:
MFR.: Shenzhen Noble Opto Co.,Ltd	SUR.:	PROTECTION ANGLE:

DATA OF LAMP		PRODUCT DATE Eff: Eff: 126.42 lm/W			
MODEL	3030-6000K	Imax(cd)	19359	S/MH(C0/180)	1.87
NOMINAL POWER(W)	250	LOR(%)	100.0	S/MH(C90/270)	1.79
RATED VOLTAGE(V)	220	TOTAL FLUX(lm)	31400	η UP, DN(C0-180)	0.3 , 70.2
NOMINAL FLUX(lm)	31500	CIE classification	direct	η UP, DN(C180-360)	0.4 , 29.1
LAMPS INSIDE	1	η up(%)	0.7	CIBSE SHR NOM	1.50
TEST VOLTAGE(V)	220.3	η down(%)	99.3	CIBSE SHR MAX	1.55

INTENSITY DISTRIBUTION DIAGRAM IN C PLANS



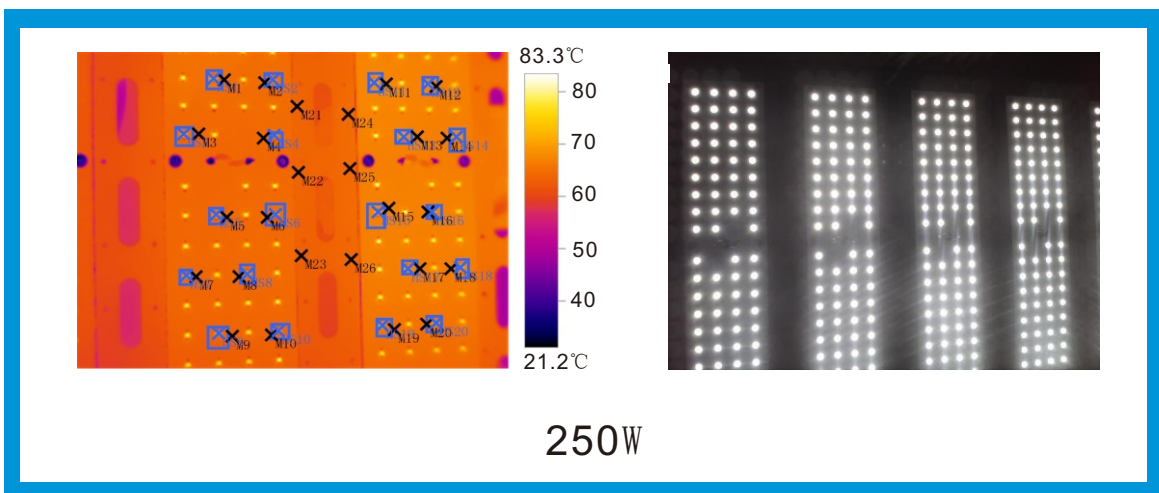
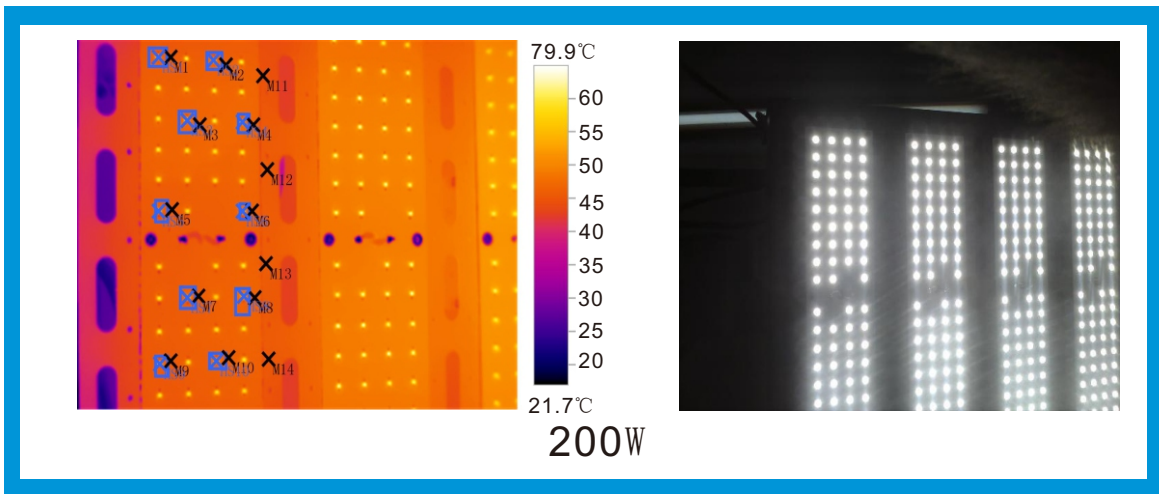
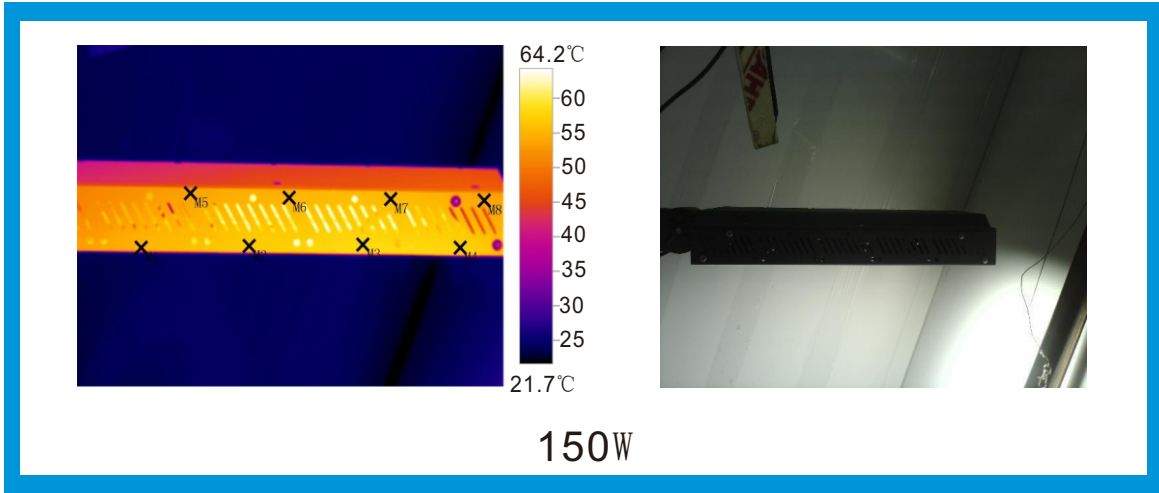
Spatial illuminance curve (unit: lx)





NOBLE OPTO

Temperature test(Ambient temperature:30°C) :





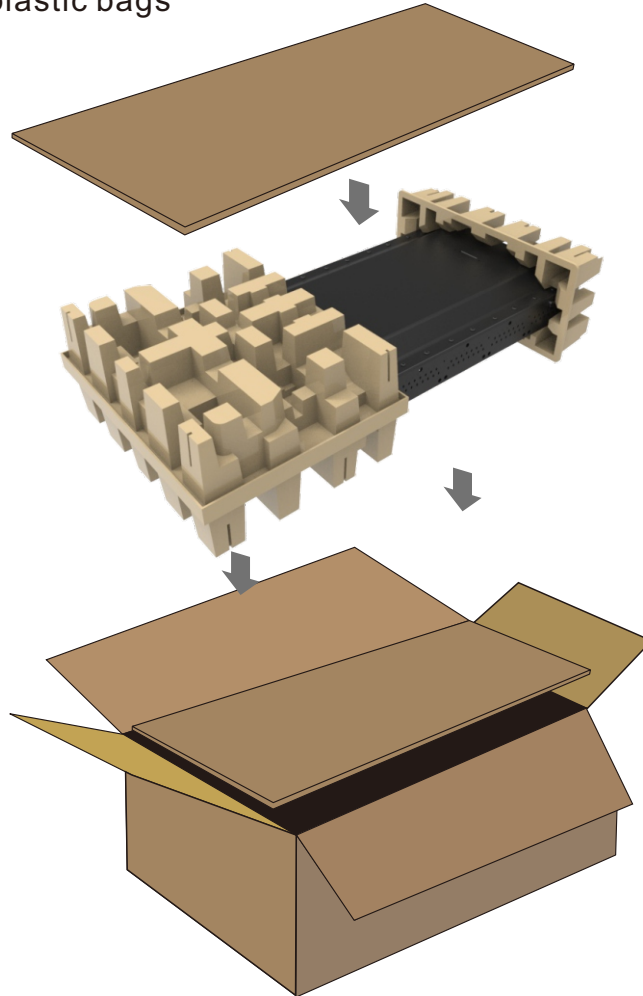
NOBLE OPTO

Packaging material:

650x390x195mm carton (K=K) ; 640x380mm diaphragm K3K , 2 boxes every carton ,Heaven and earth diaphragm

Paper tray A :380x173x79mm 1pcs per carton Paper tray
B:380x300x87mm 1pcs per carton Paper tray
C:380x300x87mm(1pcs per carton)

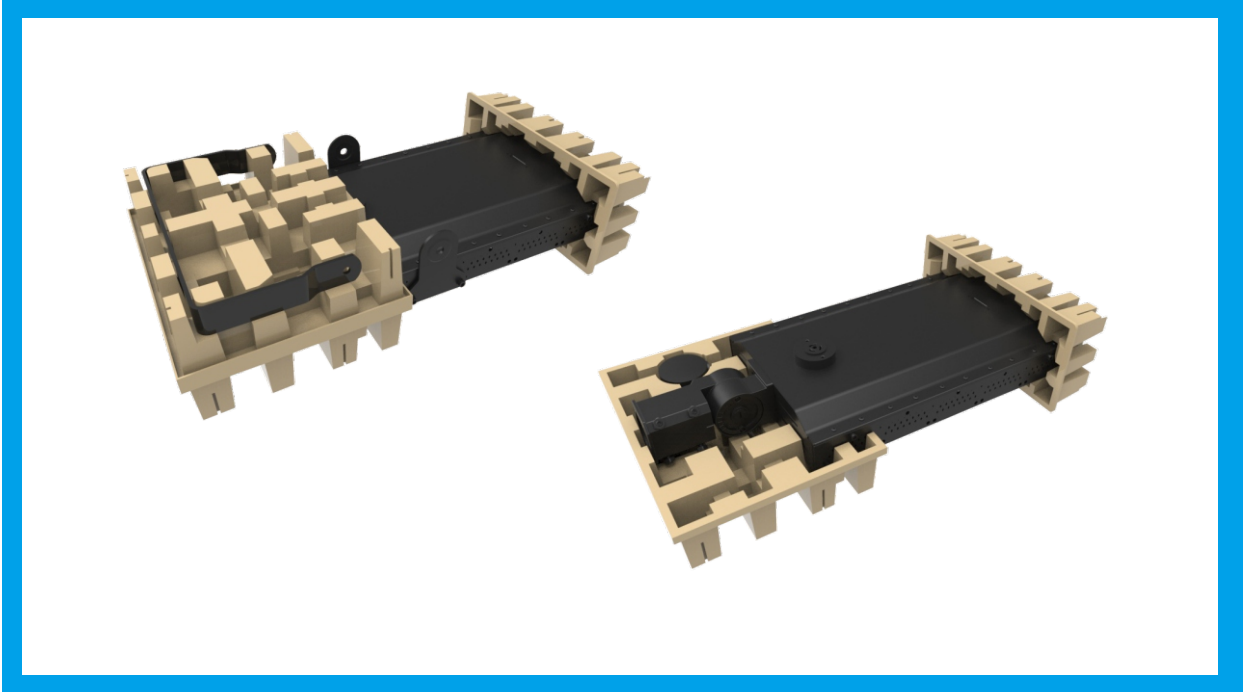
PE Sealing plastic bags :50x80x0.03mm Install screws set and waterproof connector The dosage is 6 PE sealing plastic bags:340x240x0.06mm Size of the opening 240mm(load Silicone ring)The dosage is 1 PE sealing plastic bags:120x180x0.03mm size of opening 120mm(load small bag accessories) The dosage is 1 PE sealing plastic bags





NOBLE OPTO

Packaging material:



Application:

Widely used in arterial roads, highways, elevated road, city streets, bridges, sidewalks road lighting, and the square, schools, residential areas, industrial areas, parks and other outdoor lighting places need.



Shenzhen Noble Opto Co.,Ltd
Tel: 0755-27651481/ 27651483
WeChat:598734944 or 992452228