



# NOBLE OPTO

## LED Street Light

### SL-1C030A series



SL-1C030A series LED Street Light ,designed by experienced expert and controlled by strict quality system,integrate durable structure and perfect design to keep its lifespan long,energy consumption low and down,meet a vast majority of challenging roadway and street lighting application .Integrated design of driver box and arm, the whole aluminum lamp is able to heat dissipation; With two specifications of the light pole's back cover: Ø60mm and Ø40mm.With a protection grade reaching Ip66,it can withstand a level 17hurricane.



Product Series :

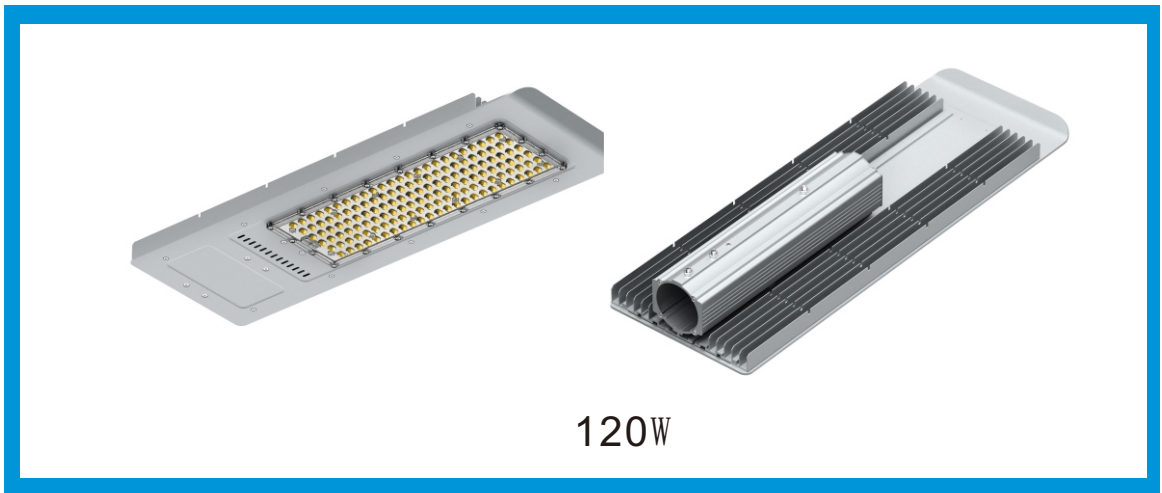
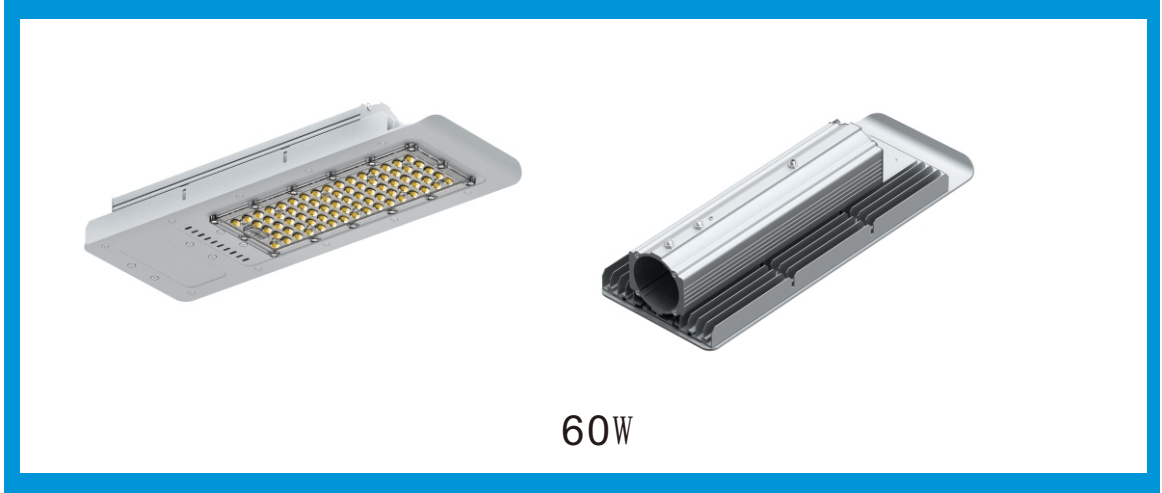
60W  
90W  
120W  
130W





# NOBLE OPTO

Product Image :





# NOBLE OPTO



## Feature :

External fashion beautiful, angular, simple and tough.

- Light weight, small size, reduce transportation costs and maintenance of capital.
- 1060 aluminum cylinder orange powder, powder cross process, breathable Feng sent design, enhance the cooling effect of lamps.
- Intelligent adjustable power, lighting time.
- Protection level IP66.
- Support 50-60m m light repentance, apply more widely.
- Imported high-brightness light source, high luminous efficiency.



## Parameters :

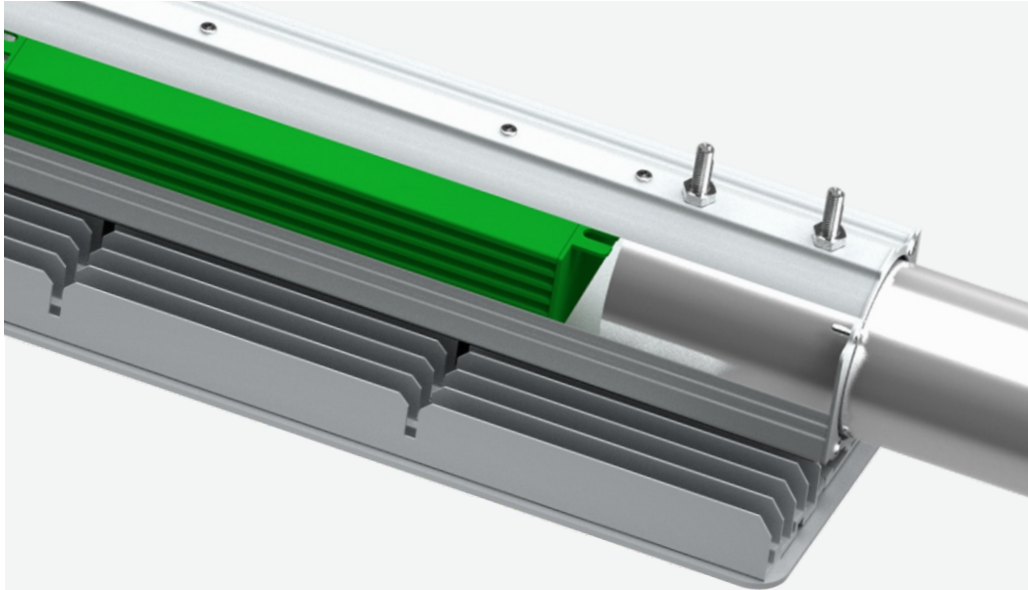
NO.	Title	Description
1	Name	SL-1C030A Series Street Light
2	Model	SL60/90/120/130-1C030A
3	Power	60W/90W/120W/130W
4	Input Voltage	AC100-277V
5	Lighting efficacy	150LM/W
6	Beam angle	75X140
7	Waterproof rate	Ip66
8	LED QTY(pcs)	77/144
9	Total lumInous flux	9000/13500/18000/19500Lm
10	Chip model	OSRAM 3030
11	Any way	11B7C/24B6C
12	Installation height	6-8m
13	Pole diameter	40~60mm
14	Operating temperature	-20℃-50℃
15	Warranty	5 years
16	Current(mA)	4480



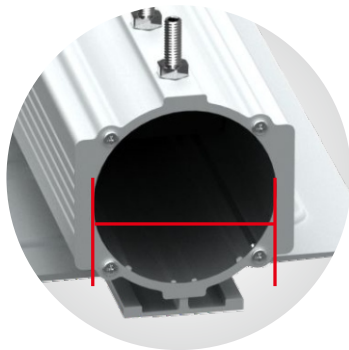


## Integrated design of driver box and arm:

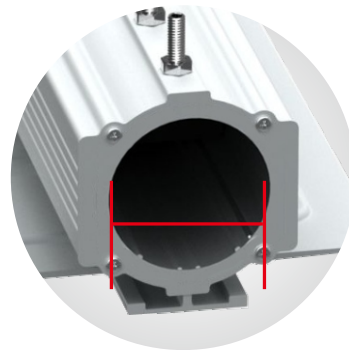
The integrated design of driver box and arm can save the space and reduce the wind resistance to the best.



Two specifications of the light pole's back cover, the lamps can be used more widely



**60mm**



**40mm**



# NOBLE OPTO

Prospective design, performance excellence:

(followings are abbreviated drawing, different watts, same functions.)

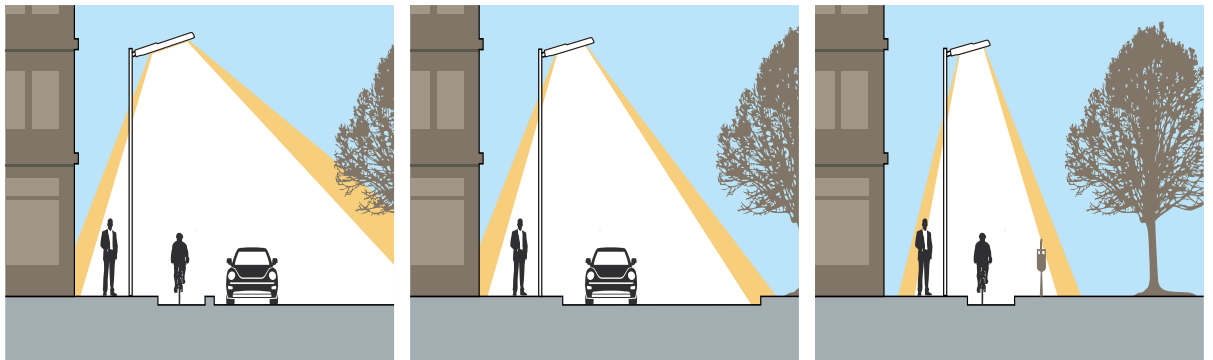


Protection grade reaches IP66

Anti- Level 17hurricane

## Multi Power Selection:

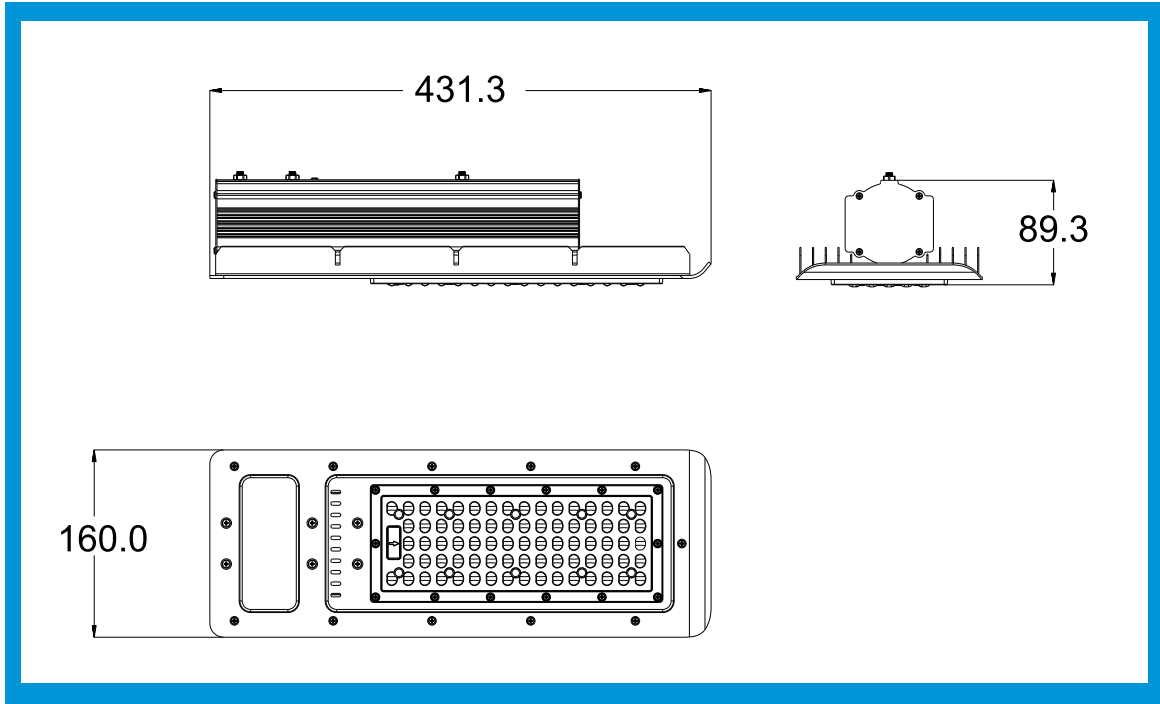
SL-1C030A series includes 60w、90W、120w、130w,A total of 6 heat radiating Suite product portfolio, according to the use of premises need to select appropriate heat radiating suite



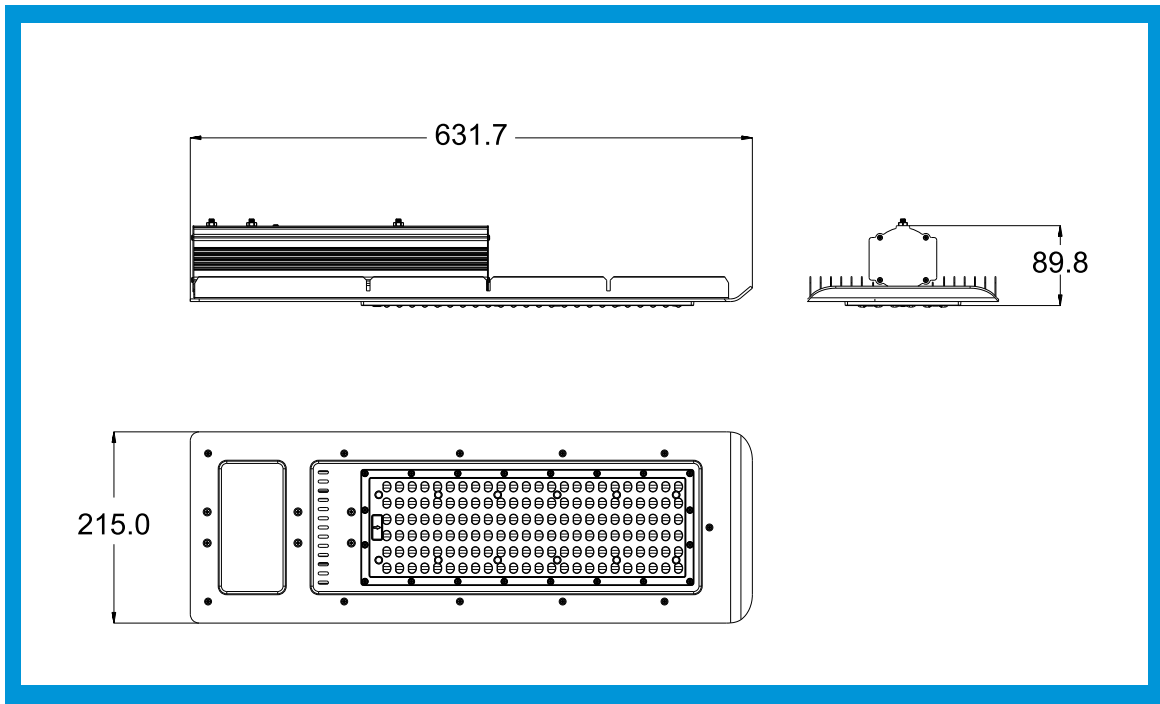


# NOBLE OPTO

## 60W/90W Production Size(mm):



## 120W/130W Production Size(mm):





# NOBLE OPTO

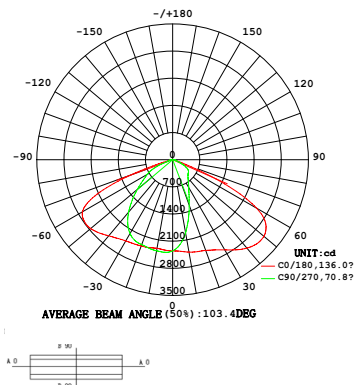
## 60W STREETLIGHT PHOTOMETRIC TEST REPORT

Test:U:220.4V I:0.2970A P:63.20W PF:0.9640 Lamp Flux::7089.74x1 lm

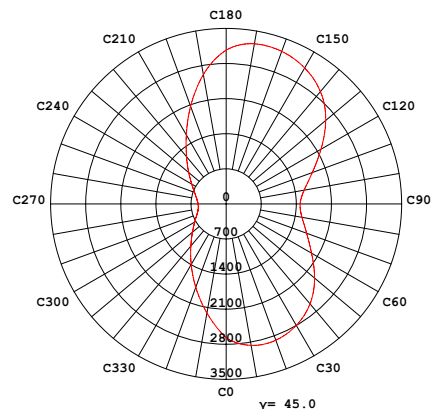
Name:Solar LED Street Light	TYPE:SL60-1C030A	WEIGHT:3KG
SPEC.:60W	DIM.:	SERIAL No.:
MFR.: Shenzhen Noble Opto Co.,Ltd	SUR.:	PROTECTION ANGLE:

DATA OF LAMP		PRODUCT DATE Eff: Eff: 112.18 lm/W			
MODEL	3030-6000K	Imax(cd)	3254	$\eta$ street_up(%)	0.3
NOMINAL POWER(W)	60	LOR(%)	100.0	$\eta$ street_down(%)	63.2
RATED VOLTAGE(V)	220	TOTAL FLUX(lm)	9000	$\eta$ house_up(%)	0.4
NOMINAL FLUX(lm)	9000	MAXIMUM @(C, $\gamma$ )	140°, 75°	$\eta$ house_down(%)	36.1
LAMPS INSIDE	1	$\eta$ up(%)	0.7	76 FLASHAREA(m2)	0.00100
TEST VOLTAGE(V)	220.4	$\eta$ down(%)	99.3	SL I	16.664

### INTENSITY DISTRIBUTION DIAGRAM IN C PLANS



### PLANAR ILLUMINANCE CURVE





# NOBLE OPTO

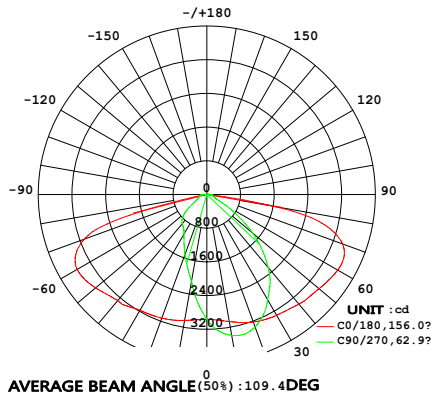
## 90W STREETLIGHT PHOTOMETRIC TEST REPORT

Test:U:U:220.3V I:0.3870A P:83.00W PF:0.9740 Lamp Flux:8793.55x1 lm

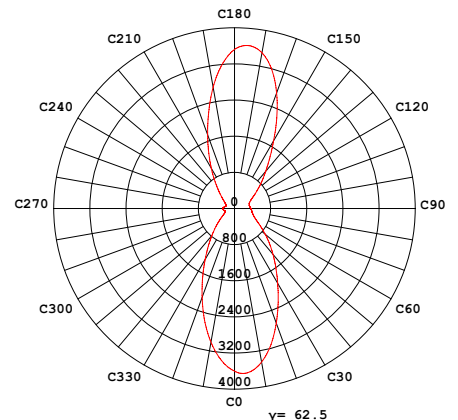
Name:Solar LED Street Light	TYPE:SL90-1C030A	WEIGHT:3KG
SPEC.:90W	DIM.:	SERIAL No.:
MFR.: Shenzhen Noble Opto Co.,Ltd	SUR.:	PROTECTION ANGLE:

DATA OF LAMP		PRODUCT DATE Eff: Eff: 105.95 lm/W			
MODEL	3030-6000K	Imax(cd)	3600	$\eta$ street_up(%)	0.3
NOMINAL POWER(W)	90	LOR(%)	100	$\eta$ street_down(%)	60.8
RATED VOLTAGE(V)	220	TOTAL FLUX(lm)	13000	$\eta$ house_up(%)	0.4
NOMINAL FLUX(lm)	13500	MAXIMUM @(C, $\gamma$ )	140°, 75°	$\eta$ house_down(%)	38.5
LAMPS INSIDE	1	$\eta$ up(%)	0.7	76 FLASHAREA(m2)	0.00100
TEST VOLTAGE(V)	220.1	$\eta$ down(%)	99.3	SL I	22.122

### INTENSITY DISTRIBUTION DIAGRAM IN C PLANS



### PLANAR ILLUMINANCE CURVE







# NOBLE OPTO

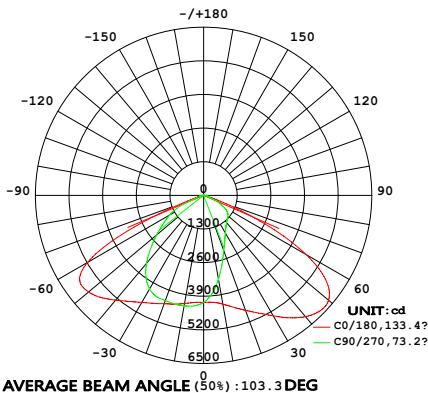
## 120W STREETLIGHT PHOTOMETRIC TEST REPORT

Test:U:U:U:220.4V I:0.5480A P:116.0W PF:0.9600 Lamp Flux:13811.1x1 lm

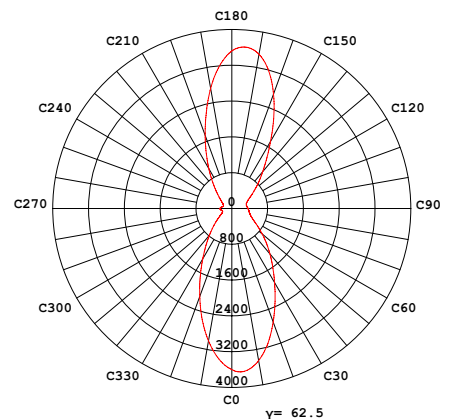
Name:Solar LED Street Light	TYPE:SL120-1C030A	WEIGHT:4.7KG
SPEC.:120W	DIM.:	SERIAL No.:
MFR.: Shenzhen Noble Opto Co.,Ltd	SUR.:	PROTECTION ANGLE:

DATA OF LAMP		PRODUCT DATE Eff: Eff: 105.95 lm/W			
MODEL	3030-6000K	Imax(cd)	6950	$\eta$ street_up(%)	0.3
NOMINAL POWER(W)	120	LOR(%)	100	$\eta$ street_down(%)	62.8
RATED VOLTAGE(V)	220	TOTAL FLUX(lm)	17500	$\eta$ house_up(%)	0.3
NOMINAL FLUX(lm)	18000	MAXIMUM @(C, $\gamma$ )	140°, 75°	$\eta$ house_down(%)	36.5
LAMPS INSIDE	1	$\eta$ up(%)	0.6	76 FLASHAREA(m2)	0.00100
TEST VOLTAGE(V)	220.4	$\eta$ down(%)	99.4	SL I	17.497

### INTENSITY DISTRIBUTION DIAGRAM IN C PLANS



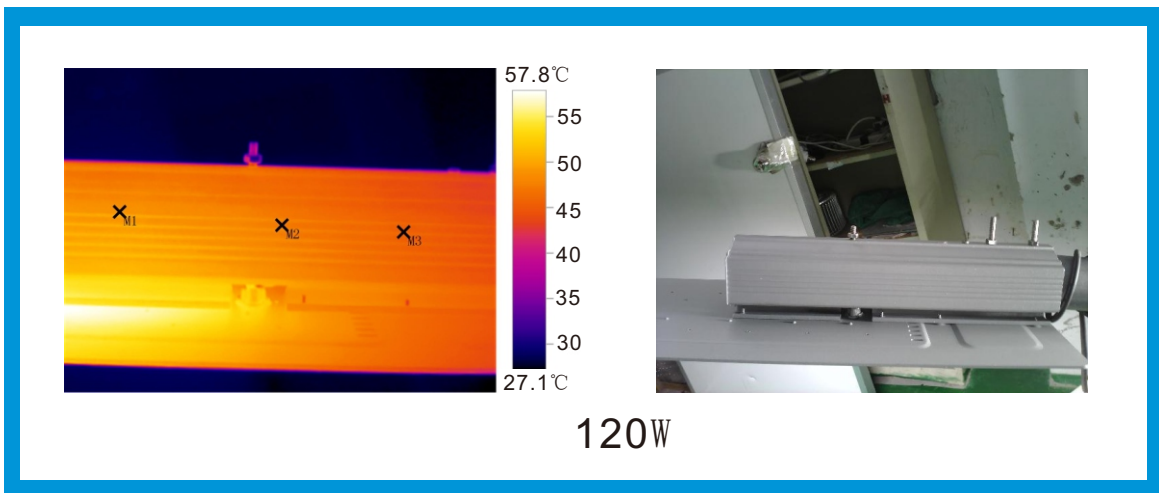
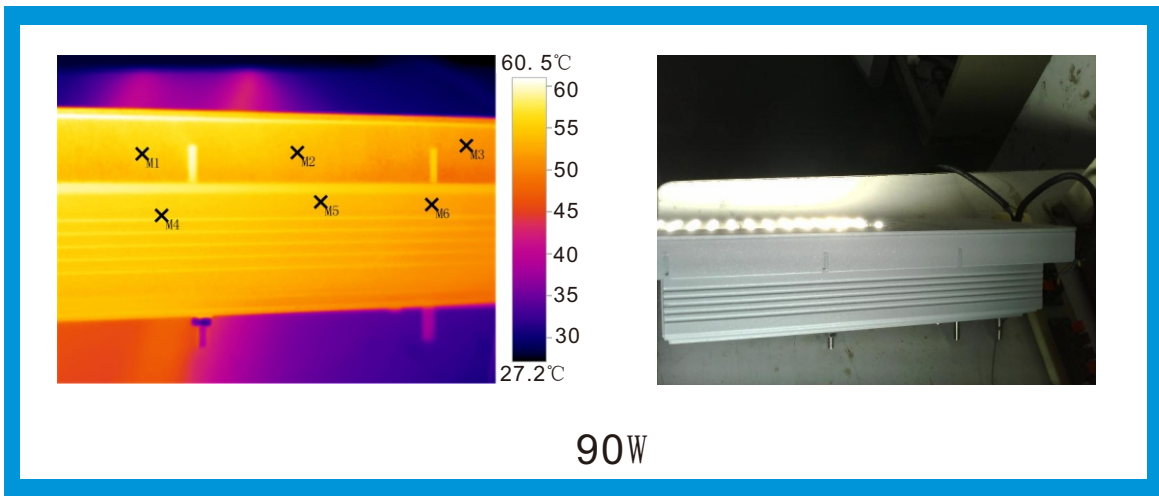
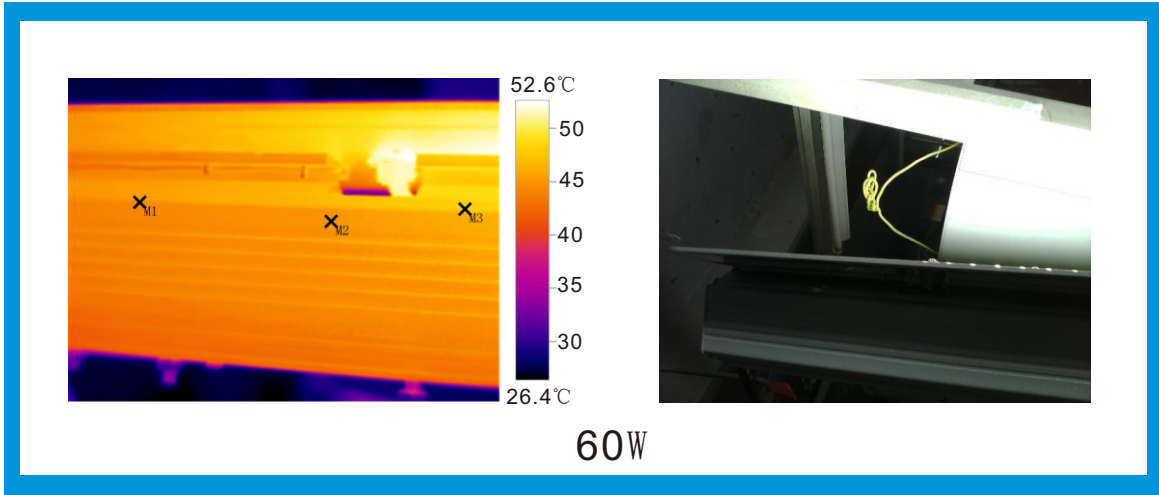
### PLANAR ILLUMINANCE CURVE





# NOBLE OPTO

Temperature test(Ambient temperature:30°C) :



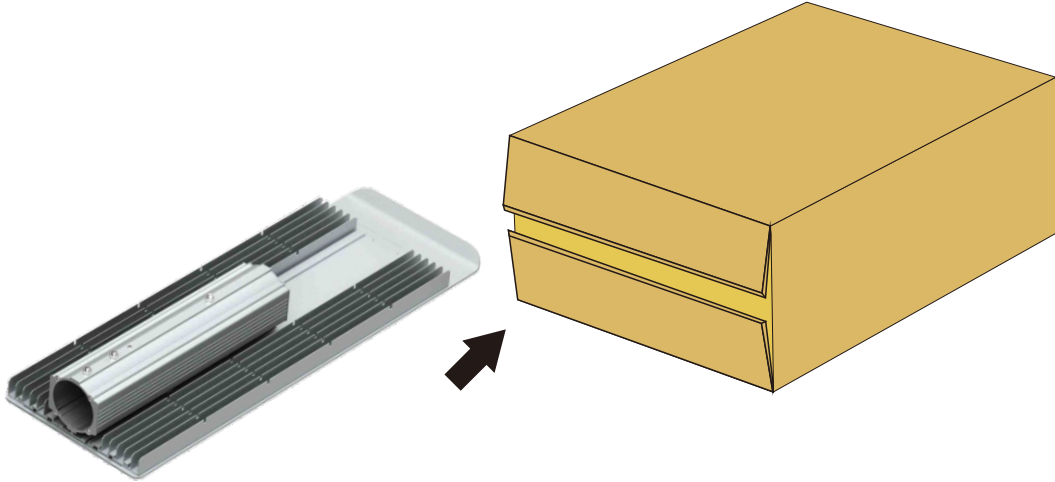


# NOBLE OPTO

## Packing :

1.Packaging material:

170 (L) 110 (W) 450 (H) mm cartons (K=k+)SL60/90/120/130-1C030A  
public use.Attention:horizontal



## Application:

Widely used in arterial roads, highways, elevated road, city streets, bridges, sidewalks road lighting,and the square, schools, residential areas, industrial areas, parks and other outdoor lighting places need.



Shenzhen Noble Opto Co.,Ltd  
Tel: 0755-27651481/ 27651483  
WeChat:598734944 or 992452228