



SHENZHEN NOBLE OPTO. CO.,LTD

www.nobleled.com jenny@nobleled.com

green light, green life

MD: 86-135 1014 8875 Tel:+86-755-2765 1481/4119 Fax:+86-755-2765 1483

Address: Building C3, MingJinHai Industrial Park, SanJiaoTang, ShiYan Town, BaoAn District, Shenzhen, China 518108

# 200mm led traffic light NBJD213-3

## 8' Vehicle traffic light

## Specifications



- Shape:200mm (8'')Clear cover
- High brightness LEDs with integrated optics
- Moisture and dust tight seal(IP65)
- Total Harmonic Distortion<20%(with PFC)
- Operating Temperature:-30°C to 60°C
- Angle:Avg. ≥30° Down ≥30°
- Operating voltage Range:85-265VAC/12~24VDC
- Insulation Resistance:≥2M
- Life:100,000H
- Housing material:PC(PMMA)

## Test parameter

## Features/Benefits

**PFC test:PFC>0.95**



- Energy saving
- Easy installation
- Low power consumption
- Long life time 100, 000hours
- Wide working voltage
- Waterproof IP 65
- CE&RoHS

**Green Light, Green Life; Safety Light, Safety Life.**



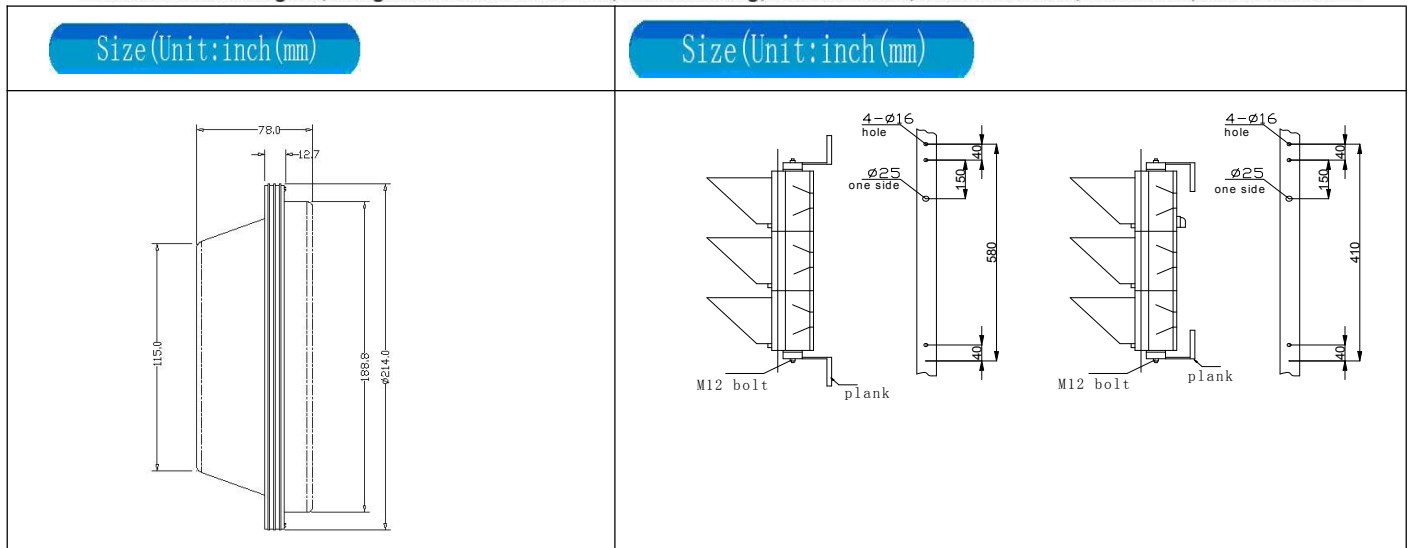
**SHENZHEN NOBLE OPTO. CO.,LTD**

www.nobleled.com jenny@nobleled.com

green light, green life

MD: 86-135 1014 8875 Tel: +86-755-2765 1481/4119 Fax: +86-755-2765 1483

Address: Building C3, MingJinHai Industrial Park, SanJiaoTang, ShiYan Town, BaoAn District, Shenzhen, China 518108



Characteristics							
Model Number	Size (mm)	Color	Voltage	LEDs	Wattage at 25°C	Luminance (cd/m <sup>2</sup> )	Typical Dominant Wavelength (nm)
	NBJD213-3						
200		Yellow	12~24VDC 85-265VAC	90s	<8	>8000	590 ± 5
200		Green	12~24VDC 85-265VAC	90s	<8	>8000	505 ± 2

Packing:							
Model	Material	Carton Size	Quantity/CTN	G.W/CTN	N.W/CTN	Packing	
NBJD213-3	PC	890x330x250mm	1set	7.01kgs	6.07kgs	Carton	

**Green Light, Green Life; Safety Light, Safety Life.**



SHENZHEN NOBLE OPTO. CO.,LTD

www.nobleled.com jenny@nobleled.com

green light, green life

MD: 86-135 1014 8875 Tel: +86-755-2765 1481/4119 Fax: +86-755-2765 1483

Address: Building C3, MingJinHai Industrial Park, SanJiaoTang, ShiYan Town, BaoAn District, Shenzhen, China 518108

Details



Shenzhen Noble Opto CO.,LTD



www.nobleled.com



Different view



Shenzhen Noble Opto CO.,LTD



www.nobleled.com



Green Light, Green Life; Safety Light, Safety Life.



### Installation Instruction

#### 1). Install the shield:

Confirming the installing direction of the traffic signal light.

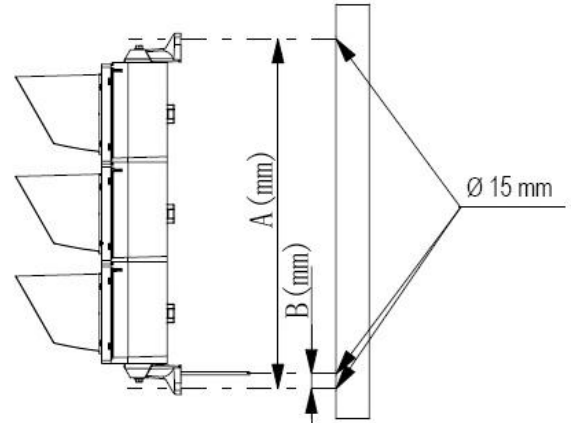
Fixing the aluminum shield to the traffic signal panel with four nails of M4\*6 standards

#### 2). Hole position:

Step1: Drilling three holes with Ø15 millimeter

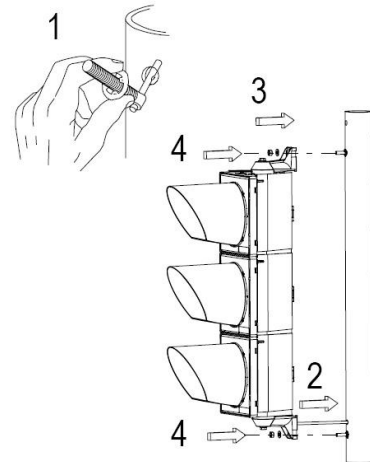
Diameter, refer to the left installation diagram

Step2: Height: The traffic core will be fixed to the pole with 2.5M height (the distance between the ground and the lowest end of pole)



Step3: The frontspiece of the traffic light must face to the middle of vehicle channels

**Notice:** The traffic direction also can be changed by adjusting the pole.



#### 3). Installation step

Step1: Inserting the tip to the two holes and locked up by club gasket

Step2: Inserting the cable

Step3: Fixing the two traffic brackets to the M10 screws

Step4: Screwing down the nut

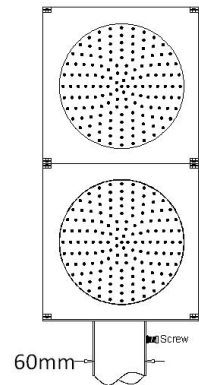
#### 4).Signal direction adjusting

Step1: Release the connecting nail between the screws and traffic light

Step2: Adjusting the direction of the signal light

Step3: Tighten the screws, checking the traffic light direction is right or not.

#### 5). Installation size of base bracket:





**SHENZHEN NOBLE OPTO. CO.,LTD**

[www.nobleled.com](http://www.nobleled.com)   [jenny@nobleled.com](mailto:jenny@nobleled.com)

  
*green light, green life*

MD: 86-135 1014 8875   Tel: +86-755-2765 1481/4119   Fax: +86-755-2765 1483

Address: Building C3, MingJinHai Industrial Park, SanJiaoTang, ShiYan Town, BaoAn District, Shenzhen, China 518108

The pole diameter must be less than 60mm.

---

**Green Light, Green Life; Safety Light, Safety Life.**