



SHENZHEN NOBLE OPTO. CO.,LTD

www.nobleled.com jenny@nobleled.com

green light, green life

MD: 86-135 1014 8875 Tel: +86-755-2765 1481/4119 Fax: +86-755-2765 1483

Address: Building C3, MingJinHai Industrial Park, SanJiaoTang, ShiYan Town, BaoAn District, Shenzhen, China 518108

200mm led traffic light module

NBJD200-Y

8" Vehicle traffic light

Specifications

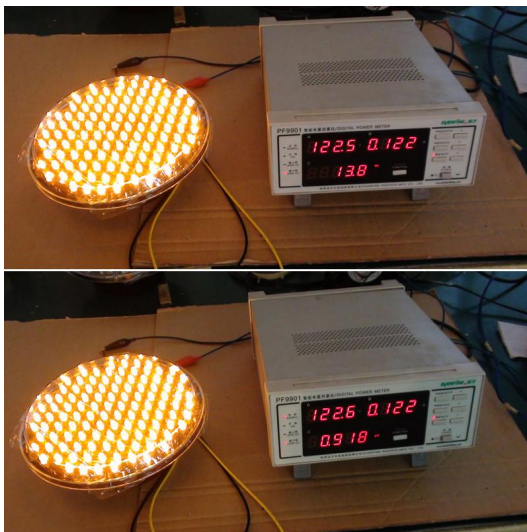


- Shape: 200mm (8") Clear cover
- High brightness LEDs with integrated optics
- Moisture and dust tight seal (IP65)
- Total Harmonic Distortion < 20% (with PFC)
- Operating Temperature: -30°C to 60°C
- Angle: Avg. $\geq 30^\circ$ Down $\geq 30^\circ$
- Operating voltage Range: 12~24VDC
- Insulation Resistance: $\geq 2M$
- Life: 100,000H
- Housing material: PC (PMMA)

Test parameter

Features/Benefits

PFC test: PFC > 0.95



- Energy saving
- Easy installation
- Low power consumption
- Long life time 100,000 hours
- Wide working voltage
- Waterproof IP 65
- CE & RoHS

Green Light, Green Life; Safety Light, Safety Life.



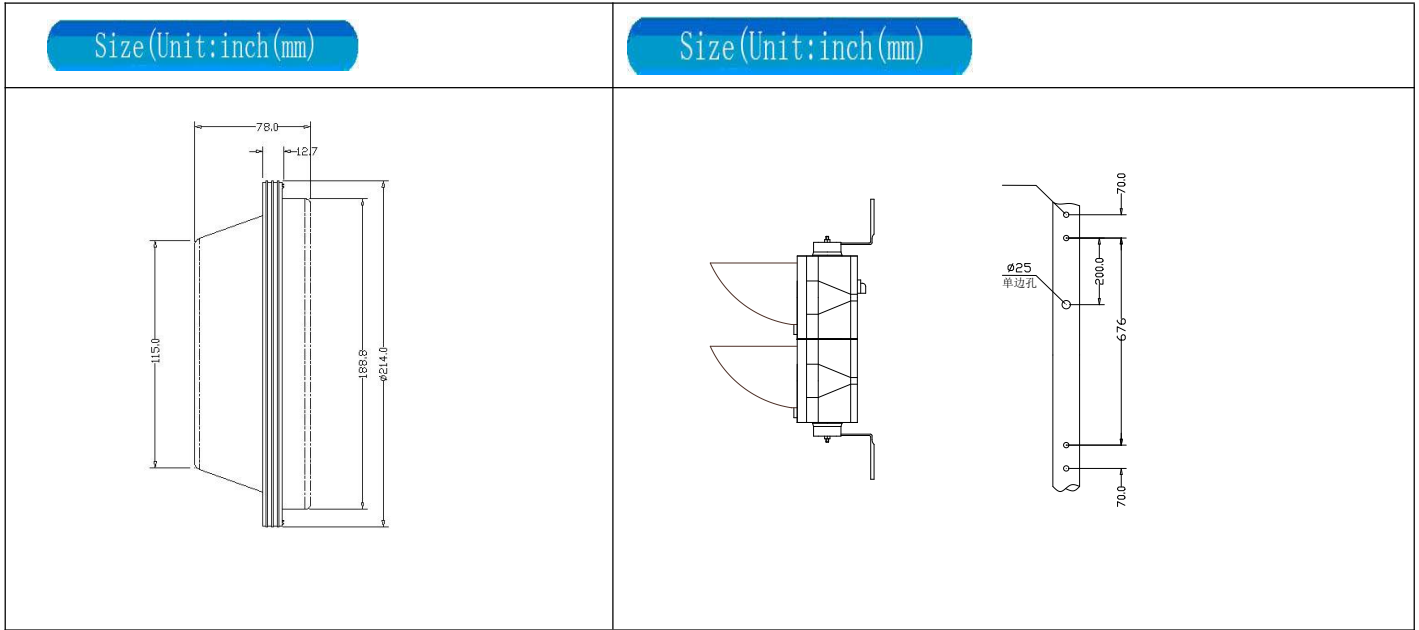
SHENZHEN NOBLE OPTO. CO.,LTD

www.nobleled.com jenny@nobleled.com

green light, green life

MD: 86-135 1014 8875 Tel:+86-755-2765 1481/4119 Fax:+86-755-2765 1483

Address: Building C3, MingJinHai Industrial Park, SanJiaoTang, ShiYan Town, BaoAn District, Shenzhen, China 518108



Characteristics							
Color	Size	Model Number	Voltage	LEDs	Wattage at 25°C	Luminance (cd/m ²)	Typical Dominant Wavelength(nm)
	(mm)						
Yellow	200	NBJD200-Y	12~24VDC 85-265VAC	90s	<8W	>8000	590±5

Packing:							
Model	Material	Carton Size	Quantity/CTN	G.W/CTN	N.W/CTN	Packing	
NBJD200-Y	PC	640*270*490mm	10pcs	9.71kgs	7.3kgs	Carton	

Different view



Shenzhen Noble Opto CO.,LTD



www.nobleled.com



Green Light, Green Life; Safety Light, Safety Life.