



500mm LED Traffic Countdown Timer

NBDJS513-RYG



20' Vehicle traffic light

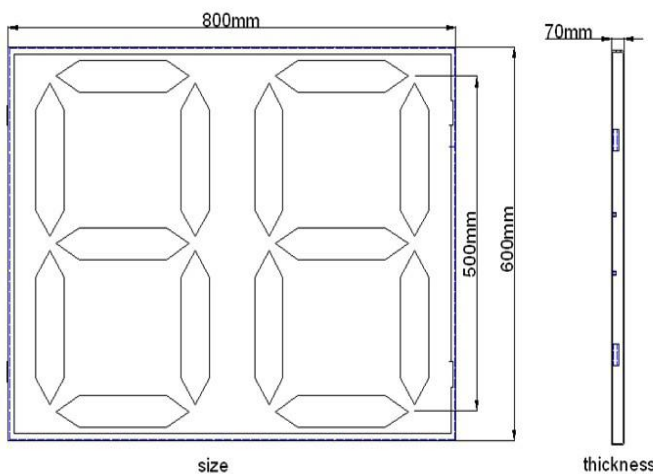
Specifications



- Shape:500mm (20") transparent lens
- High brightness LEDs with integrated optics
- Moisture and dust tight seal
- Total Harmonic Distortion<20%
- Operating temperature: -30℃ to 60℃
- Angle:Avg. ≥30° Down ≥30°
- Operating voltage Range:12VDC 110/220VAC
- Insulation Resistance:≥2M
- Life:100,000H
- Housing material:PC

Size(Unit:inch(mm))

Features/Benefits



- Energy saving
- Easy installation
- Low power consumption
- Wide working voltage
- Water-and dust-proof (IP65)
- CE&RoHS
- In accordance with EN12368

Green Light, Green life

Safety Light,

safety life.



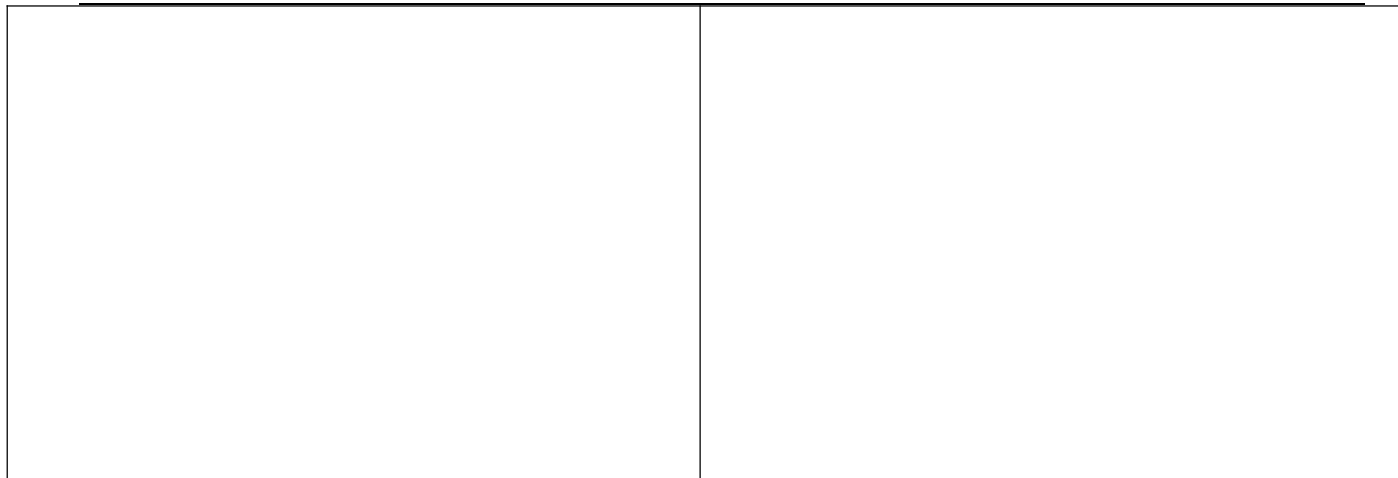
Shenzhen Noble Opto Co., Ltd

www.nobleled.com jenny@nobleled.com

Green Light, Green Life

Mob: +86-135 1014 8875 Tel: +86-0755-27654119-805 Fax: +86-0755-27651483

Add.: Building C3, Mingjinhai Industrial Park, Zhoushi Road, Shiyan Town, Bao'an District, Shenzhen, China 518108



Characteristics

| Model | Color | Size | Profile | Voltage VDC | LEDs | Typical Wattage at 25°C | Luminance (cd/m ²) | Typical Dominant Wavelength (nm) |
|-------------|--------|------|---------|------------------------|------|-------------------------|--------------------------------|----------------------------------|
| | | (mm) | | | | | | |
| NBDJS512-RG | Red | 500 | square | 12/24VDC 110/220VAC | 490s | <25 | >400 | 625±5 |
| | Yellow | 500 | square | 12/24VDC 110/220VAC | 210s | <10 | >400 | 590±5 |
| | Green | 500 | square | 12/24VDC 110/220VAC | 336s | <25 | >400 | 505±2 |

Gather to pack:

| Model | Housing material | Dim.of Outer Carton | Quantity/CTN | G.W/CTN | N.W/CTN | Packing |
|-------------|------------------|---------------------|--------------|---------|----------|---------|
| NBJD513-RYG | PC | 910*710*250mm | 1PCS | 23.8kgs | 22.24kgs | Carton |

| | |
|-------------------------------------|----------------------|
| Installation: Horizontal(tall pole) | Vertical(short pole) |
|-------------------------------------|----------------------|

*Green Light, Green life
safety life.*

Safety Light,



Shenzhen Noble Opto Co., Ltd

www.nobleled.com jenny@nobleled.com

Green Light, Green Life

Mob: +86-135 1014 8875 Tel: +86-0755-27654119-805 Fax: +86-0755-27651483

Add.: Building C3, Mingjinhai Industrial Park, Zhoushi Road, Shiyan Town, Bao'an District, Shenzhen, China 518108



Sample:



*Green Light, Green life
safety life.*

Safety Light,