



300MM LED Traffic Signals NBCD312-2



12' Vehicle traffic light

Features/Benefits



- Reduce overall operating & maintenance costs.
- Energy saving:90% reduction in power consumption vs incandescent.
- Reliability & traffic safety.
- Improved visibility over life of the product.
- Reduces emergency lamps outs.
- Design minimizes sun phantom effects.
- Easy to install into existing signal enclosure.

Specifications

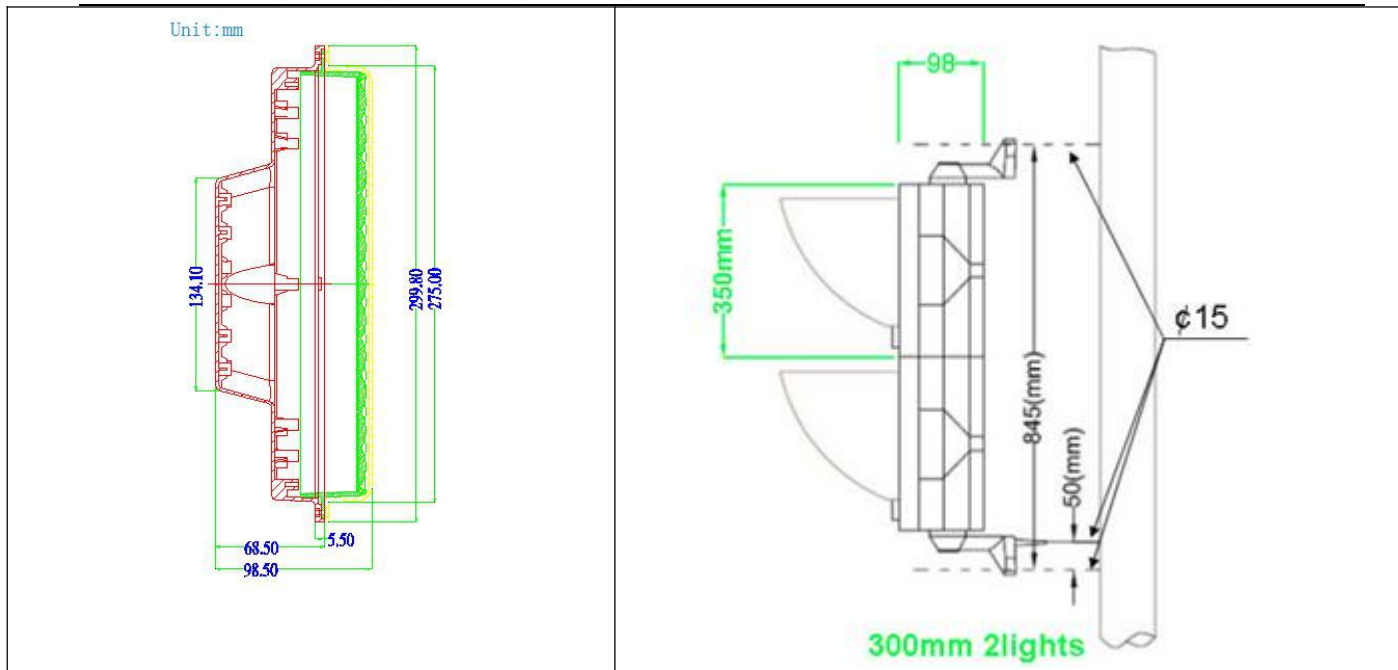
Test parameter

- Shape:300mm (12")
 - High brightness LEDs with integrated optics
 - Moisture and dust tight seal IP65
 - Total Harmonic Distortion<20%
 - Operating temperature: -20°C to 60°C
 - Angle:Avg. ≥30° Down ≥30°
 - Operating voltage
- Range:10V-30VDC/85-265VAC
- Insulation Resistance:≥2M
 - Life:100,000H
 - Housing material:PC

PFC test:PFC>0.95 Pass: compliance UL

Size (Unit:inch (mm))

Size (Unit:inch (mm))



Characteristics

Color	Size	Model Number	Profile	Voltage	LEDs	Typical Wattage at 25°C	Luminance (cd/m ²)	Typical Dominant Wavelength (nm)
	(mm)							
Red	300	NBCD300R-1	Round	85~265VAC	69s	<5	>400	625
Green	300	NBCD300G-1	Round	85~265VAC	72s	<7	>400	500

Gather to pack:

Model	Housing Material	Dim.of Outer Carton	Quantity/CTN	G.W/CTN	N.W/CTN	Packing
NBCD312-2	PC	880*410*200MM	1PCS	7.8KG	6.1KG	Carton