



Infrared Gate Photocells

NOBLE Battery type
wireless photo sensor

OEM/ODM service We Offer
More Than **2 years** battery using life

INFRARED GATE SAFETY BEAMS WITH WIRELESS TECHNOLOGY

WIS-30 infrared gate safety beam with a wireless transmitter and it makes short work of achieving a safe automation system for even the most challenging of installations. With a wireless transmitter there's no need to under the driveway. Simply align, More convenient and safe for door automation!



Main features:

1. The transmitter is wireless and battery-operated saving time and money.
2. 30 meters operating range – ideal for almost any entrance gate.
3. Fully anti-proof and weather-resistant enclosure for greater reliability.
4. Transmitter provides audible feedback for easy setup and battery-low indication.
5. Low power consumption throughout the system for greater efficiency.
6. Compatible with Intruder-detection Alarms for enhanced perimeter security.
7. Quick, easy installation with built-in laser beam alignment system.



Why choose our WIS-30?

1. Low power consumption

The wireless transmitter photocell requires only two AA batteries (not included in the kit) two years of reliable operation. Low current-draw throughout the system means greater efficiency and a longer battery life, so you'll have reliable automated gate safety for years to come.

2. Highly cost-effective

One can't put a price on safety - but you'll be happy to know that WIS-30 photocells deliver a highly cost-effective detection solution. With these photocells installed, your gate won't break your car and it won't break the bank either!

3. Compatible with any gate openers

The WIS-30 photocells are compatible with supply voltages from 12V to 30V DC. These versatile beams can be used on almost any gate or access automation equipment found in the market.

4. Long-distance performance

Our wireless safety photocells with a 30 metre operating range, WIS-30 is suitable for even very wide entrances. No matter how big the entrance, WIS-30 is an ideal for virtually any entrance gate.

5. Fully weatherproof enclosure

WIS-30 photocells fully weatherproof enclosure ensures that the electronics will never bear the brunt of the weather.



6. Suitable for universal installations.

Automatic sliding gate, swing gate, garage door, pedestrian door, industrial door, Boom Gates, Alarm System, warehouse monitoring etc. No more cutting driveways to run cables required, perfect to retro fit on existing installations.

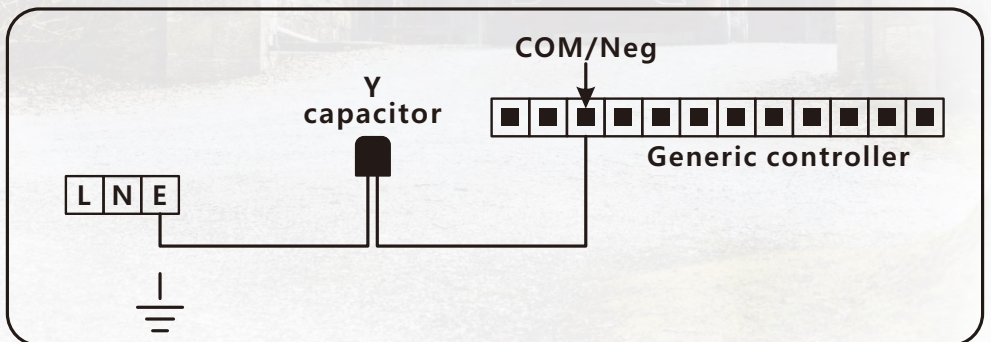
7. Flexible business model

We are very willing to help our customers to develop their own brand and assist customers in their local marketing. And not only wireless photocell sensor, we will further develop a series of high-quality products around the automatic door and villa security solutions. And to help customers promote at local marketing and form customer's own brand, help our create more and more benefits, growing up together.

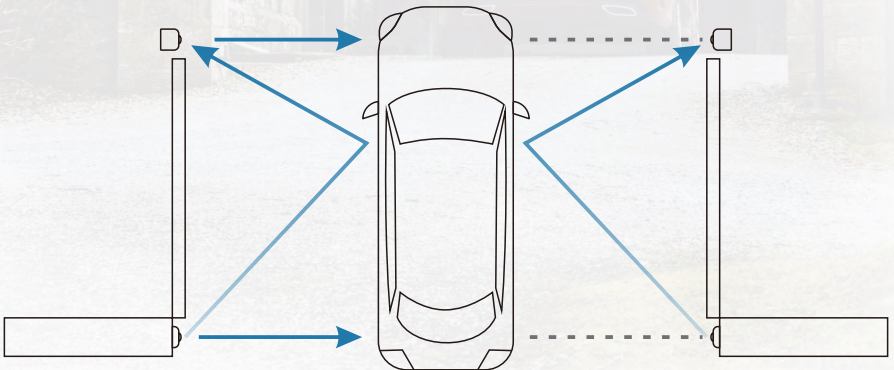
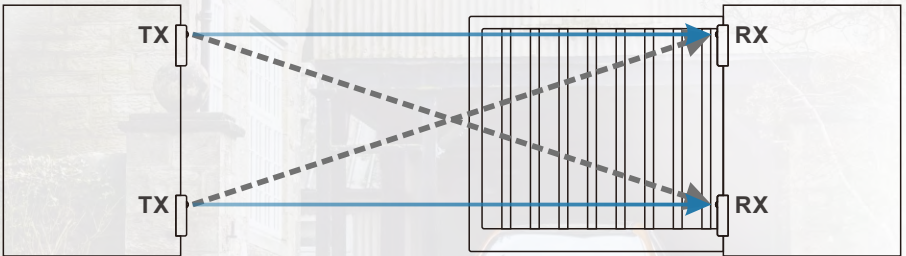
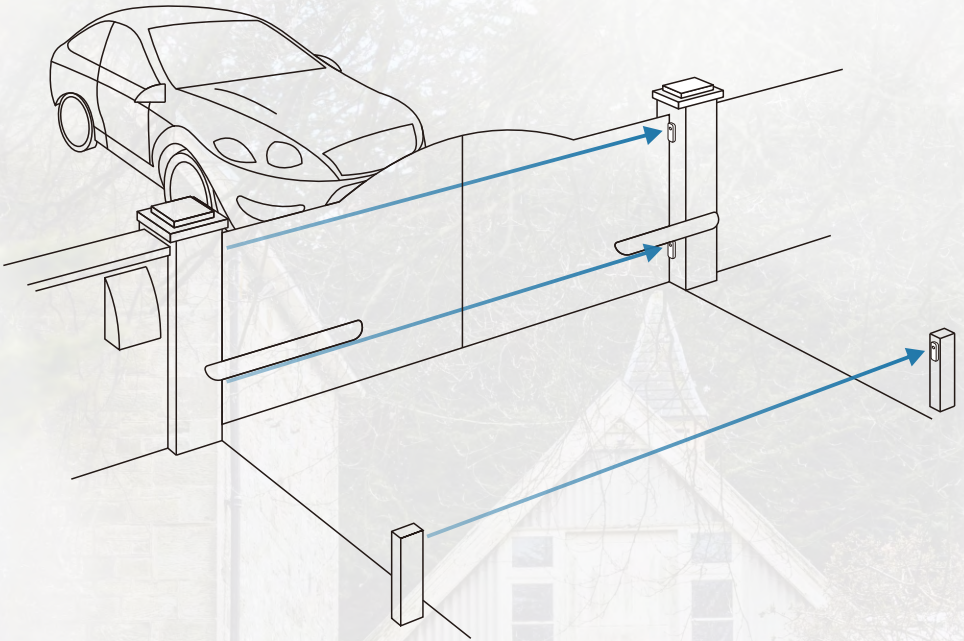
WIS-30M Wireless Infrared Sensor Specification

Power Supply Transmitter	2 x AA Alkaline Batteries (Supplied) Only replace with alkaline batteries; do not use rechargeable batteries with this product
Receiver	12 - 24V AC 12 - 30V DC
Receiver Power Consumption	30mA @ 12V DC
Transmitter Battery Life	Minimum 2 years
Battery Low Indication	Audible Beep
Specified Operating Distance	30m
Alignment	Automatic – 1m ² @ 10m (circular area - assumes parallel surface)
Output Contact	Fail-safe, N/C and N/O, potential free contact
Output Contact Rating	3A @ 30V DC Non-inductive
Operating Temperature	-20°C - +60°C
Operating Humidity	0 - 90° Non-condensing
Degree of Protection	Ip65 with rubber
Housing Material	PC(UV)
Size	51(L)*135(W)* 32(H)mm

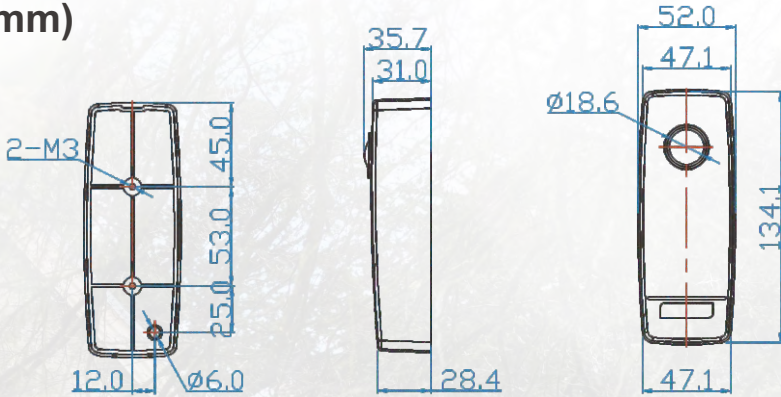
Connection Details



Install Reference At Gate Automation System Application



Size(mm)



Innovative Application Solution Reference Combined With Solar Energy System

The solar panel collects light energy, and the energy is stored in the battery through the controller. The battery supplies power to the WIS-30 wireless infrared receiving end and the wireless transmitter, and the wireless infrared transmitting end is powered by the AA battery. When the wireless infrared sensor detects someone passing, The information will be transmitted to the wireless receiving end, and the signal will be transmitted by the wireless transmitter. The wireless receiver transmits the corresponding signal to the alarm host, and the whole system does not need to damage the road surface, and does not need to be laid cable, safe and convenient.

- Frequency band: 2.4G (2405MHz ~ 2480MHz 16 channels can be set)
- Transmitting power: 200mA
- Receive sensitivity: -98dBm
- Communication distance: more than 200 meters (this is the distance between the single button and the receiver, and the multi-button coordinates the working distance further).

Solar panel:30W

Battery:12V12AH(Three days of continuous rainy days)

Wireless transmit:

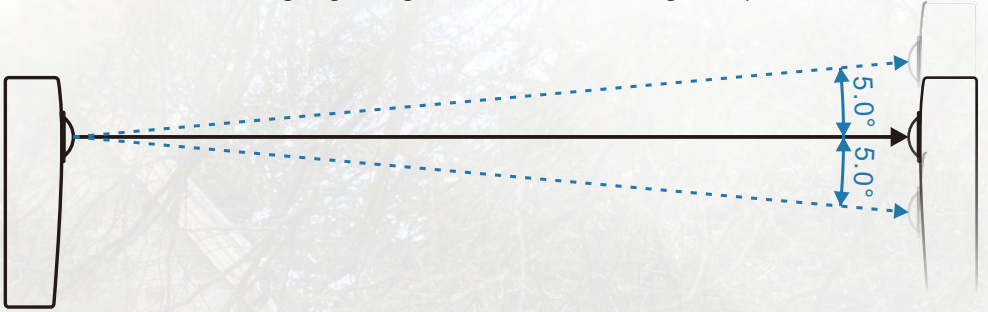
Wireless receiver parameters

- Frequency band: 2.4G (2405MHz ~ 2480MHz 16 channels can be set)
- Supply voltage: 10-30VDC
- Detection output: detection output 8 groups of signals, error output 1 group signal
- Communication interface: 8IO signal output, LAN x 1, 485 x 1
- Power consumption: < 1W
- Appearance size: 120 x 90 x 56
- Installation method: rail mounting



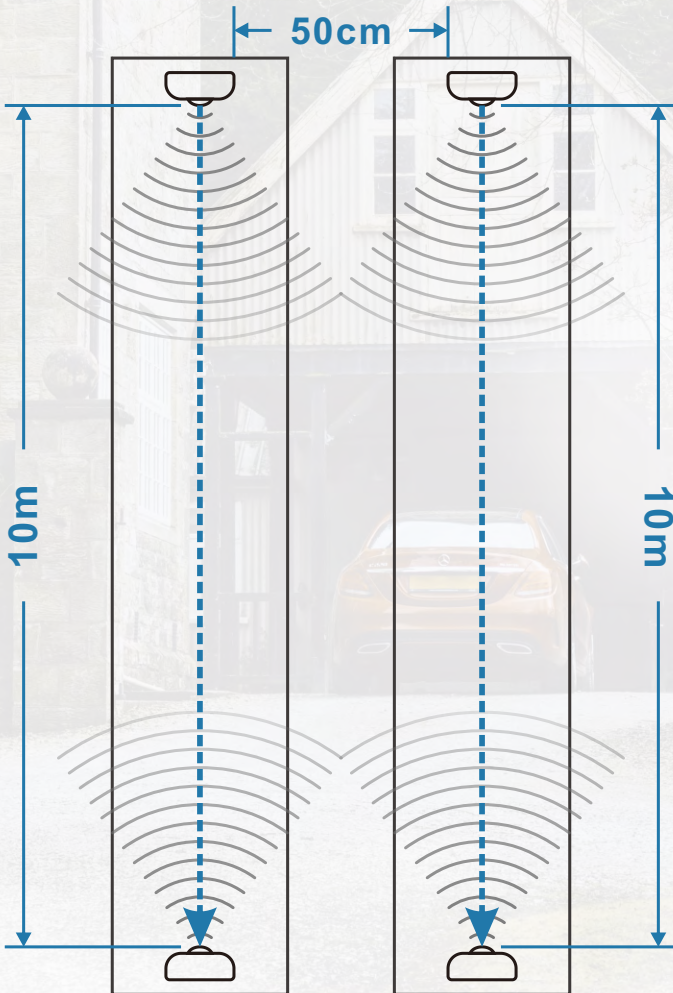
WIS-30M photocell detection angle

When the infrared transmitting end and the receiving end are on the 180 horizontal line, the infrared diode detecting angle range does not exceed 5 degrees up and down.



Two Pair photocell Anti-minimum interference distance

The minimum distance is 50cm if the RX and TX of 2 pair photo sensor with 10m detection distance.



Infrared Gate Photocells

NOBLE Battery type wireless photo sensor



OEM/ODM service we offer
More Than **2 years** battery using life