



8 Inch Incandescent Look LED Traffic Signals



8' Vehicle traffic light



Features/Benefits

- Reduce overall operating & maintenance costs:Energy saving:90% reduction in power consumption vs incandescent
- Reliability & traffic safety:·Improved visibility over life of the product Reduces emergency lamps outs Design minimizes sun phantom effects
- Easy to install into existing signal enclosure

Specifications

- Shape:200mm (8")Cobweb cover
- High brightness LEDs with integrated optics
- Moisture and dust tight seal(IP65)
- Total Harmonic Distortion<20%(with PFC)
- OperatingTemperature Range(optional): -30℃ to 60℃
- Angle:Avg. ≥30° Down ≥30°
- Operating voltage Range:100~277VAC
- Insulation Resistance:≥2M
- Life:100,000H
- housing material:PC(PMMA)

Test parameter

PFC test:PFC>0.95 Pass: CE

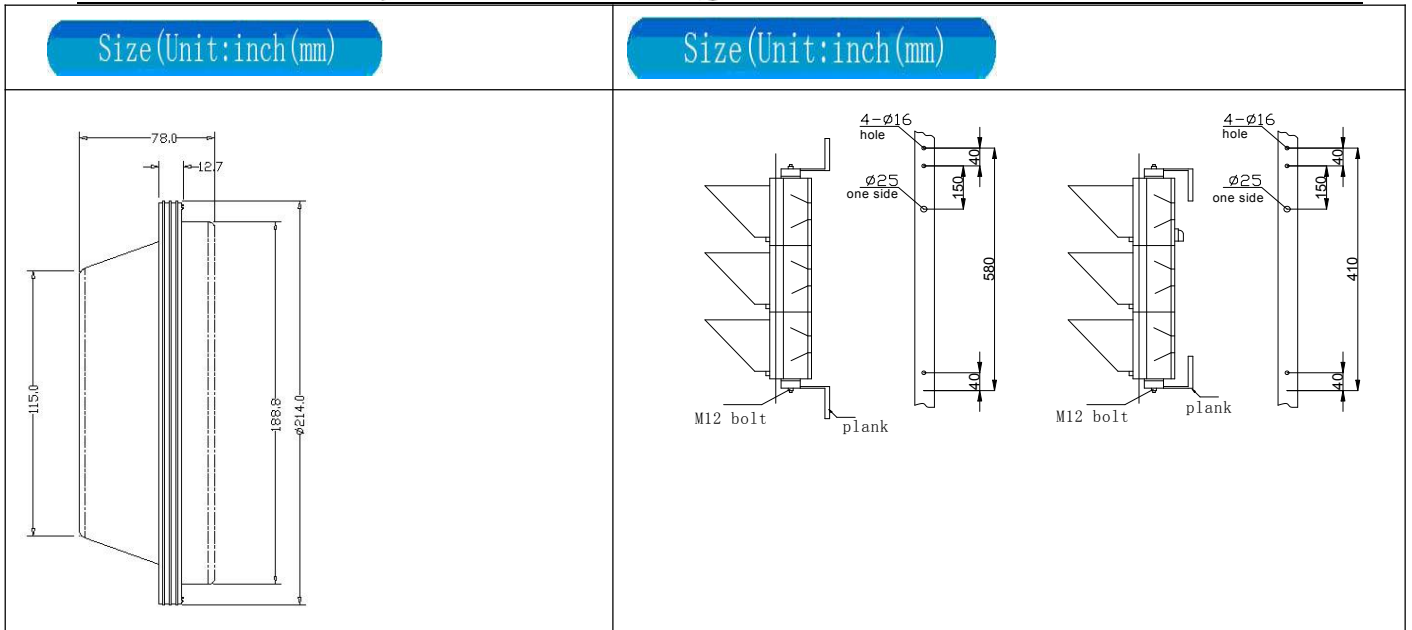




SHENZHE NOBLE OPTO CO.,LTD

green light,green life

Http://www.nobleled.com E-mail:sales@nobleled.com TEL:+86-755-27654119 FAX:+86-755-29002484



Characteristics

Color	Size	Model Number	Profile	Voltage	LEDs	Typical Wattage at 25°C	Luminance (cd/m²)	Typical Dominant Wavelength (nm)
	(mm)							
Red	200	NBJD200R-1	Round	12-24VDC 100-277VAC	61s	<7	>8000	625
Yellow	200	NBJD200Y-1	Round	12-24VDC 100-277VAC	61s	<7	>8000	590
Green	200	NBJD200G-1	Round	12-24VDC 100-277VAC	61s	<7	>8000	500

Gather to pack:

Model	housing material	Dim.of Outer Carton	Quantity/CTN	G.W/CTN	N.W/CTN	packing
NBJD213F-3	PC	930*320*230mm	1PCS	7.08	6.5	carton



SHENZHE NOBLE OPTO CO.,LTD

green light,green life

Http://www.nobleled.com E-mail:sales@nobleled.com TEL:+86-755-27654119 FAX:+86-755-29002484

Building C,MingJinHai Industrial Park,SanJiaoTang,ShiYan Town, BaoAn District,Shenzhen,China
 TEL:86-0755-27651481 FAX:86-0755-27651483 PostCode:518108
 Http://www.nobleled.com Email:sales@nobleled.com Copyright©Noble opto co.,ltd



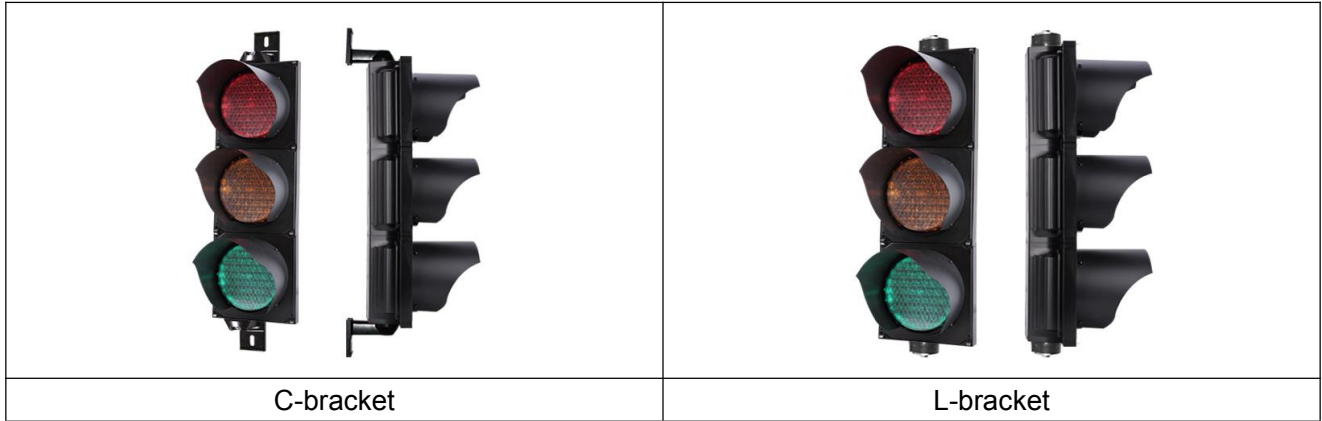
NOBLE

SHENZHE NOBLE OPTO CO.,LTD

green light,green life

Http://www.nobleled.com E-mail:sales@nobleled.com TEL:+86-755-27654119 FAX:+86-755-29002484

Pictures:



NOBLE

SHENZHE NOBLE OPTO CO.,LTD

green light,green life

Http://www.nobleled.com E-mail:sales@nobleled.com TEL:+86-755-27654119 FAX:+86-755-29002484

Building C,MingJinHai Industrial Park,SanJiaoTang,ShiYan Town, BaoAn District,Shenzhen,China
TEL:86-0755-27651481 FAX:86-0755-27651483 PostCode:518108
[Http://www.nobleled.com](http://www.nobleled.com) Email:sales@nobleled.com Copyright©Noble opto co.,ltd