



4 Inch Incandescent Look LED Traffic Signals



4' Vehicle traffic light



www.nobleled.com

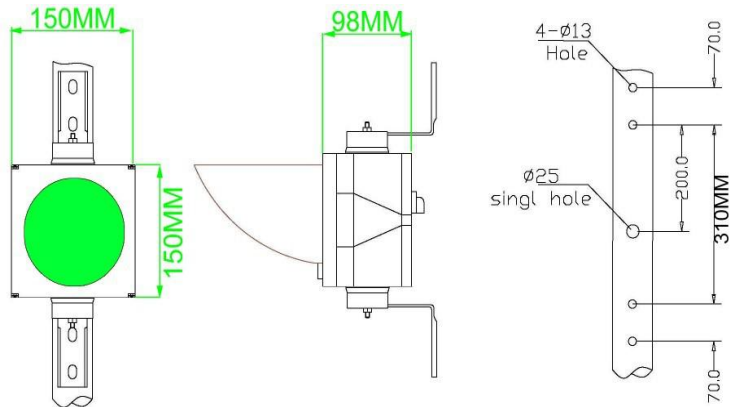
Features/Benefits

- Reduce overall operating & maintenance costs:Energy saving:90% reduction in power consumption vs incandescent
- Reliability & traffic safety:·Improved visibility over life of the product Reduces emergency lamps outs Design minimizes sun phantom effects
- Easy to install into existing signal enclosure

Specifications

- Shape:100mm (4")
- High brightness LEDs with integrated optics
- Moisture and dust tight seal (IP65)
- Total Harmonic Distortion<20%
- OperatingTemperature Range(optional): -20°C to 60°C
- Angle:Avg. ≥30° Down ≥30°
- Operating voltage Range:24VDC
- Insulation Resistance:≥2M
- Life:100,000H
- housing material:PC

Size(Unit:inch (mm))





SHENZHE NOBLE OPTO CO.,LTD

green light,green life

Http://www.nobleled.com E-mail:sales@nobleled.com TEL:+86-755-27654119 FAX:+86-755-29002484

Characteristics								
Color	Size	Model Number	Profile	Voltage VDC	LEDs	Typical Wattage at 25°C	Luminance (cd/m²)	Typical Dominant Wavelength (nm)
	(mm)							
Yellow	100	NBJD100R	Round	12-24V DC , 85-265V AC	39s	<5W	>1000	590

Gather to pack:

Model	housing material	Dim.of Outer Carton	Quantity/CTN	G.W/CTN	N.W/CTN	packing
NBJD111F-39 -Y	PC	46*18*22mm	2PCS	2.82	3.04	carton

Product Photo:



SHENZHE NOBLE OPTO CO.,LTD

green light,green life

Http://www.nobleled.com E-mail:sales@nobleled.com TEL:+86-755-27654119 FAX:+86-755-29002484

Block B1 ,Xingdabao Industrial Building, Sanlian Industry Zone, Shiyan, Bao'an District, Shenzhen, P.R.China
 TEL:86-0755-27651481 FAX:86-0755-27651483 PostCode:518108
 Http://www.nobleled.com Email:sales@nobleled.com Copyright©Noble opto co.,ltd



SHENZHE NOBLE OPTO CO.,LTD
green light,green life

Http://www.nobleled.com E-mail:sales@nobleled.com TEL:+86-755-27654119 FAX:+86-755-29002484

PC Visor L-bracket:



www.nobleled.com

Aluminum Visor L-bracket:



www.nobleled.com

FAQ:

Q1: What's your warranty policy?

All of our traffic light warranty is 2 years. Controller system warranty is 5 year.

Q2: Can I print my own brand logo on your product?

OEM orders are highly welcome. Please send us the details of your logo color, logo position, user manual and box design (if you have) before you send us inquiry. In this way we can offer you most accurate answer at the first time.

Q3:Are you products certified?

CE, RoHS, ISO9001:2008 and EN 12368 standards.

Q4:What is Ingress Protection grade of your signals?

All traffic light sets are IP54 and LED modules are IP65.Traffic countdown signals in cold-rolled iron are IP54.



SHENZHE NOBLE OPTO CO.,LTD
green light,green life

Http://www.nobleled.com E-mail:sales@nobleled.com TEL:+86-755-27654119 FAX:+86-755-29002484

Block B1 ,Xingdabao Industrial Building, Sanlian Industry Zone, Shiyan, Bao'an District, Shenzhen, P.R.China
TEL:86-0755-27651481 FAX:86-0755-27651483 PostCode:518108
[Http://www.nobleled.com](http://www.nobleled.com) Email:sales@nobleled.com Copyright©Noble opto co.,ltd



SHENZHE NOBLE OPTO CO.,LTD
green light,green life

Http://www.nobleled.com E-mail:sales@nobleled.com TEL:+86-755-27654119 FAX:+86-755-29002484

Q5:What LED do you use in your traffic signals?

Epistar Taiwan.

Q6:What are advantages of our products when compared to other traffic light providers?

We are professional designer and manufacturer of LED signals who emphasizes quality and employs strict QC procedures.We use top quality LEDs, pure polycarbonate housing material, and other components which are designed to last long-term.

Q7:What's your housing material?

Poly-carbonate housing for regular traffic signals.

Q9:Do you provide installation support?

Regarding traffic signal installation, we provide support with instruction manuals and video, or have communication through emails, video-calls or live-chat.If project is more demanding (such as vehicle detection system) then, we can provide training at our facilities in Shenzhen, or we are able to send our technical team to assist you with the installation (please note technical assistance service charges apply).

Q10:What solution can we provide?

We can provide traffic signalling (junction) solution, lane control or access control signalling, solar powered traffic signalling, and vehicle detection system.

Q11:How long does the delivery time take?

It very individual and depends on shipment type (sea, air, express) and the destination country. Please contact our sales for more details.

Q12: What payment terms do you have?

For small orders, we usually prefer T/T and Western Union;we charge 30% deposit and will ship goods out before the 70% balance are received.



SHENZHE NOBLE OPTO CO.,LTD
green light,green life

Http://www.nobleled.com E-mail:sales@nobleled.com TEL:+86-755-27654119 FAX:+86-755-29002484

Block B1 ,Xingdabao Industrial Building,Sanlian Industry Zone, Shiyan, Bao'an District, Shenzhen, P.R.China
TEL:86-0755-27651481 FAX:86-0755-27651483 PostCode:518108
[Http://www.nobleled.com](http://www.nobleled.com) Email:sales@nobleled.com Copyright©Noble opto co.,ltd